



# Model 76DI & 78DI Expansion Relief Valves

SPECIFICATION SHEET

## Application

Expansion Relief Valves are used on AST piping for relief of excess pressure caused by thermal expansion of liquid. The Valve allows product to return back to the storage tank.

**076DI**...Specify 25 or 50 PSI. Primarily for use with line leak detection systems. Use Fig. 76DI anytime you need to maintain precise pressures in the piping system.

**078DI**...Specify 25, 40 or 100 PSI. Pressure settings are approximate.

## Materials of Construction

### 076DI

- Body... Ductile iron
- Cap... Stainless steel
- Relief fitting... Stainless steel with FKM

### 078DI

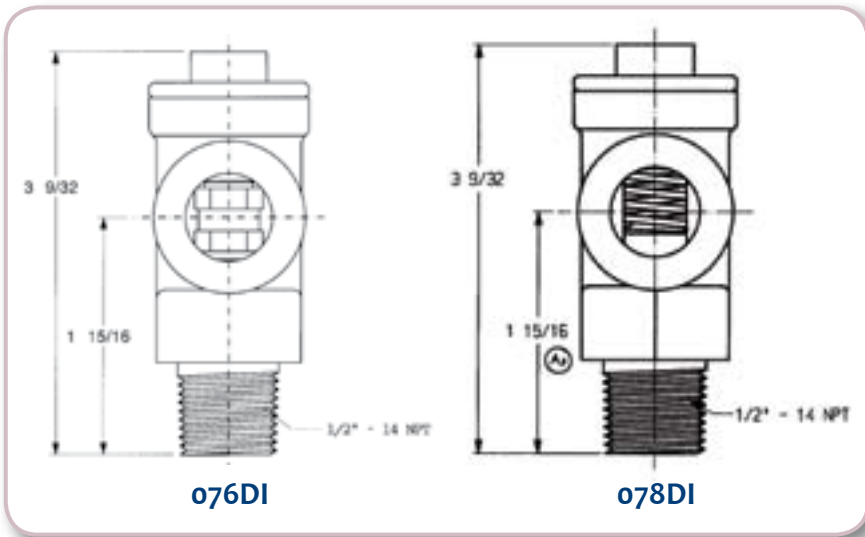
- Body... Ductile iron
- Cap... Stainless steel
- Spring... Stainless steel
- Ball... Stainless steel



| Item Number   | A    | B   | C  | D  | E    | F  | G  | Weight |
|---------------|------|-----|----|----|------|----|----|--------|
| 076DI-0100 AV | 1/2" | 25  | DI | SS | SS/P | NA | NA | 0.75   |
| 076DI-0200 AV | 1/2" | 50  | DI | SS | SS/P | NA | NA | 0.75   |
| 078DI-0100 AV | 1/2" | 25  | DI | SS | NA   | SS | SS | 0.75   |
| 078DI-0200 AV | 1/2" | 40  | DI | SS | NA   | SS | SS | 0.75   |
| 078DI-0300 AV | 1/2" | 100 | DI | SS | NA   | SS | SS | 0.75   |

### SPECIFICATION OPTIONS:

- A**—Size (inches)
- B**—PSI setting
- C**—Body material: DI (Ductile Iron)
- D**—Cap material: SS (Stainless Steel)
- E**—Expansion relief Valve Material: SS/TF (Stainless Steel/PTFE), NA (Not Applicable)
- F**—Spring material: SS (Stainless Steel), NA (Not Applicable)
- G**—Check ball material: SS (Stainless Steel), NA (Not Applicable)
- Weight**—Shipping weight (lbs)



570 E. 7th Street | Dubuque, IA 52001

t. 563.583.5701 | 800.553.4840 | f. 563.583.5028

www.morbros.com



MORRISON BROS. CO.