

**Additional Options:**

• **60" Post mount kit:**  
715---P060 AK

• **Vapor recovery kits:**  
715---VR30 AK (3")  
715---VR40 AK (4")

• **Stand:**  
715---S400 AS  
715S--S400 AS

• **Mounting Plate kit:**  
715---0373 AK



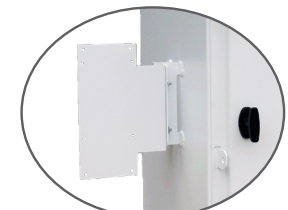
**Four-leg Stand**  
Powder-coated steel or  
stainless steel stand for  
10-gallon models



**Post Mount**  
60" Post with cap, base,  
and U-bolts



**Vapor Recovery Kit**



**Mounting Plate**

**MORRISON BROS. CO.**

**715**

**REMOTE FILL BOX SERIES**



Florida DEP EQ-787



**MORRISON BROS. CO.**

570 E. 7th Street | Dubuque, IA 52001

t. 563.583.5701 | 800.553.4840 | f. 563.583.5028 | custserv@morbros.com | www.morbros.com

## External Options



**715--TT2**  
**715--TT3**

- ◆ 10-gallon capacity
- ◆ 14-gauge steel (powder coated white)
- ◆ 2" or 3" top threaded connection
- ◆ Tank or wall mount



**715S-TT2**  
**715S-TT3**

- ◆ 10-gallon capacity
- ◆ 304 stainless steel
- ◆ 2" or 3" top threaded connection
- ◆ Tank or wall mount



**715--TF4**  
**715--TF5**

- ◆ 10-gallon capacity
- ◆ 14-gauge steel (powder coated white)
- ◆ 2" or 3" top flanged connection
- ◆ Tank or wall mount

\*Also available

**715S-TF4**  
**715S-TF5**

Item Number	Size	Description	Weight (lbs)
715--TT2-0000-0	2" - 10-gal.	Top connection with no internal components	
715--TT3-0000-0	3"-10-gal.	Top connection with no internal components	101.0
715--TT3-2QBB-0	2"-10-gal.	Top connection, female quick disconnect with plug (diesel only)	132.0
715--TT3-2MBB-0	2" - 10-gal.	Top connection, male quick disconnect with cap (diesel only)	132.0
715--TT3-3QBB-0	3" - 10-gal.	Top connection, female quick disconnect with plug (diesel only)	144.0
715--TT3-3MBB-0	3" - 10-gal.	Top connection, male quick disconnect with cap (diesel only)	144.0
715--TT3-2DBB-0	2" - 10-gal.	Top connection, dry-disconnect with cap (diesel only)	135.0
715--TT3-3DBB-0	3" - 10 gal.	Top connection, dry-disconnect with cap (diesel only)	148.0
715--TT3-2MB0-0	2" - 10-gal.	Top connection, male quick disconnect with ball valve	
715--TT3-3MB0-0	3" - 10-gal.	Top connection, male quick disconnect with ball valve	
715S-TT2-0000-0	2" - 10-gal.	Stainless steel top connection with no internal components	
715S-TT3-0000-0	3" - 10-gal.	Stainless steel top connection with no internal components	101.0
715S-TT3-2QBB-0	2" - 10-gal.	Stainless steel top connection, female quick disconnect w/ plug (diesel only)	132.0
715S-TT3-2MBB-0	2" - 10-gal.	Stainless steel top connection, male quick disconnect w/ cap (diesel only)	132.0
715S-TT3-3QBB-0	3" - 10-gal.	Stainless steel top connection, female quick disconnect w/ plug (diesel only)	144.0
715S-TT3-3MBB-0	3" - 10-gal.	Stainless steel top connection, male quick disconnect w/ cap (diesel only)	144.0
715S-TT3-2DBB-0	2" - 10-gal.	Stainless steel top connection, dry-disconnect with cap (diesel only)	135.0
715S-TT3-3DBB-0	3" - 10-gal.	Stainless steel top connection, dry-disconnect with cap (diesel only)	144.0
715--TF4-0000-0	2" - 10-gal.	Flanged top connection with no internal components	
715S-TF4-0000-0	2" - 10-gal.	SS flanged top connection with no internal components	
715--TF5-0000-0	3" - 10 gal.	Flanged top connection with no internal components	
715S-TF5-0000-0	3" - 10-gal.	SS flanged top connection with no internal components	
715--VR30 AK	3"	Vapor recovery kit	7.0
715--VR40 AK	4"	Vapor recovery kit	7.0
715--P060 AK	60"	Post mount kit	
715--S400 AS		Four-leg stand, powder coated steel	
715S--S400 AS		Four-leg stand, stainless steel	

\*Consult Price List for additional options.

← 715 - - T T 2 - 2 Q B B - 0 →

**Model Number**  
**Fill Box Construction**  
 - 10 gal. powder coated steel  
 S 10 gal. 304 stainless steel

**Mounting Style**  
 T Tank/Wall

**Outlet Location**  
 0 No outlet  
 F Flange  
 T Top NPT male thread

**Outlet Fitting**  
 0 No outlet fitting  
 2 2" Male NPT nipple  
 3 3" Male NPT nipple  
 4 2" 150# Raised face flange  
 5 3" 150# Raised face flange

**Component Size**  
 0 Box only  
 2 2" components  
 3 3" components

## Internal Options

**Open**  
 0 Box only

**Hand Pump Assembly**  
 0 No hand pump assembly  
 B Base (Diesel) package\*

\* Hand pump assembly base package: Steel constructed hand pump with PTFE seals and FKM o-rings, reinforced polyurethane tubing, brass check valve and ball valve.

S Stainless Steel Package

\* Hand Pump Assembly Stainless Steel Package: Stainless steel constructed hand pump with PTFE seals and FKM o-rings, reinforced polyurethane tubing, stainless steel check valve and ball valve.



**Ball Valve**  
 0 Box only  
 B Full port NPT ball valve with brass body, hard chrome plated ball & PTFE seals  
 S Full port, locking, NPT ball valve with stainless steel body and ball, PTFE seals



**Inlet Connection**  
 0 Box only

- D Dry disconnect, hardcoated aluminum with stainless steel piston, FKM gaskets, and aluminum dust cap
- E Dry disconnect, stainless steel body and piston, FKM gasket, and stainless steel dust cap (only available in 2")
- Q 90° quick disconnect aluminum female coupler with stainless steel check valve, FKM seals, and aluminum dust plug
- S 90° quick disconnect stainless steel coupler with stainless steel check valve, FKM seals, and stainless steel dust plug
- M 90° quick disconnect aluminum male adaptor with stainless steel check valve, FKM seals, and aluminum dust cap



## External Options



**715F-TK2**  
**715F-TK3**

- ◆ 7-gallon capacity
- ◆ 14 gauge steel (powder coated white)
- ◆ 2" back connection
- ◆ In-wall flush mount



**715FS-TK2**  
**715FS-TK3**

- ◆ 7-gallon capacity
- ◆ 304 stainless steel
- ◆ 2" or 3" back connection
- ◆ In-wall flush mount

### Box dimensions

- Width = 24.26" (Flange = 30")
- Height = 32.51" (Flange = 38.50")
- Depth = 19"

### Rough opening dimensions for mounting

- Width = 24.875"
- Height = 33.375"

Item Number	Size	Description	Weight (lbs)
715F-TK2-0000-0	2" - 7-gal.	In-wall, back connection with no internal components	120.0
715F-TK2-2QBB-0	2" - 7-gal.	In-wall, back connection, female quick disconnect with plug (diesel only)	162.0
715F-TK2-2MBB-0	2" - 7-gal.	In-wall, back connection, male quick disconnect with cap (diesel only)	162.0
715F-TK2-2DBB-0	2" - 7-gal.	In-wall, back connection, dry-disconnect with cap (diesel only)	162.0
715F-TK3-0000-0	3" - 7 gal.	In-wall, back connection w/ no internal components	N/A
715F-TK3-3DBB-0	3" - 7 gal.	In-wall, back connection w/3" AL dry disc adaptor, BR ball valve, hand pump (diesel only)	N/A
715FS-TK2-2ES0	2" - 7-gal.	SS in-wall, back connection, DEF, with stainless steel dry-disconnect and stainless steel ball valve	129.0
715FS-TK2-2DBB	2" - 7-gal.	SS in-wall, back connection, dry disconnect with cap (diesel only)	129.0
715FS-TK2-2SS0	2" - 7-gal.	SS in-wall, back connection, DEF, stainless steel quick disconnect & stainless steel ball valve	
715FS-TK3-3SS0	3" - 7-gal.	SS in-wall, back connection w/3" SS female QD coupler, SS ball valve	

\*Consult Price List for additional options.

← **715** **F** - **T** **K** **2** - **2** **Q** **B** **B** - **0** →

Model Number

### Fill Box Construction

- F** 7-gal. powder coated flush wall mount
- FS** 7-gal. 304 stainless steel

### Mounting Style

- T** Tank/Wall

### Connection Location

- K** Back

### Connection Thread Size

- 2** 2" Male NPT nipple
- 3** 3" Male NPT nipple

### Component Size

- 2** 2" components
- 3** 3" components

## Internal Options

**Open**  
**0** Box only

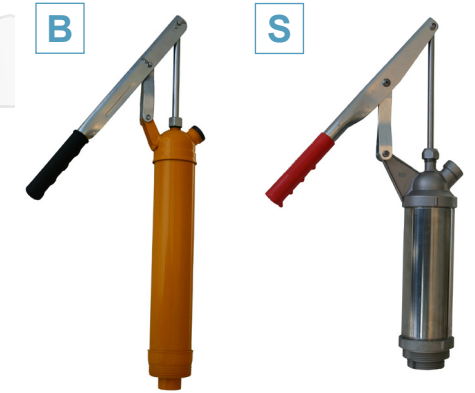
### Hand Pump Assembly

- 0** No hand pump assembly
- B** Base (Diesel) package\*

\* Hand pump assembly base package: Steel constructed hand pump with PTFE seals and FKM o-rings, reinforced polyurethane tubing, brass check valve and ball valve.

- S** Stainless Steel Package

\* Hand Pump Assembly Stainless Steel Package: Stainless steel constructed hand pump with PTFE seals and FKM o-rings, reinforced polyurethane tubing, stainless steel check valve and ball valve.



### Ball Valve

- 0** Box only
- B** Full port NPT ball valve with brass body, hard chrome plated ball & PTFE seals
- S** Full port, locking, NPT ball valve with stainless steel body and ball, PTFE seals



### Inlet Connection

- 0** Box only
- D** Dry disconnect, hardcoated aluminum with stainless steel piston, FKM gaskets, and aluminum dust cap
- E** Dry disconnect, stainless steel body and piston, FKM gasket, and stainless steel dust cap (only available in 2")
- Q** 90° quick disconnect aluminum female coupler with stainless steel check valve, FKM seals, and aluminum dust plug
- S** 90° quick disconnect stainless steel coupler with stainless steel check valve, FKM seals, and stainless steel dust plug
- M** 90° quick disconnect aluminum male adaptor with stainless steel check valve, FKM seals, and aluminum dust cap



## External Options

**715--TK2**  
**715--TK3**



- ◆ 10-gallon capacity
  - ◆ 14-gauge steel (powder coated white)
  - ◆ 2" or 3" back connection
  - ◆ On-wall flush mount
- \* Four-leg stand not available for this specific model.*

**715S-TK2**  
**715S-TK3**



- ◆ 10-gallon capacity
- ◆ 304 stainless steel
- ◆ 2" or 3" back connection
- ◆ On-wall flush mount

**715--TK4**  
**715--TK5**



- ◆ 10-gallon capacity
- ◆ 14-gauge steel (powder coated white)
- ◆ 2" or 3" flanged back connection
- ◆ On-wall flush mount

*\*Also available*

**715S-TK4**  
**715S-TK5**

Item Number	Size	Description	Weight (lbs)
715--TK2-0000-0	2" - 10-gal.	Back connection with no internal components	132.0
715--TK3-0000-0	3" - 10-gal.	Back connection with no internal components	118.0
715--TK3-3QBB-0	3" - 10-gal.	Back connection, female quick disconnect with plug (diesel only)	161.0
715--TK3-3MBB-0	3" - 10-gal.	Back connection, male quick disconnect with cap (diesel only)	161.0
715--TK3-2DBB-0	2" - 10-gal.	Back connection, dry disconnect with cap (diesel only)	152.0
715S-TK2-0000-0	2" - 10-gal.	SS back connection with no internal components	
715S-TK3-2SSS-0	2" - 10-gal.	SS back connection, DEF, stainless steel female quick disconnect with plug	114.0
715S-TK3-2ESS-0	2" - 10-gal.	SS back connection, DEF, stainless steel dry disconnect with cap	129.0
715S-TK3-3SS0-0	3" - 10-gal.	SS back connection, DEF, stainless steel quick disconnect & stainless steel ball valve	150.0
715S-TK3-3MS0-0	3" - 10-gal.	SS back connection, male quick disconnect, SS ball valve	120.0
715--TK4-0000-0	2" - 10-gal.	Flanged back connection with no internal components	
715S-TK4-0000-0	2" - 10-gal.	SS flanged back connection with no internal components	
715--TK5-0000-0	3" - 10-gal.	Flanged back connection with no internal components	
715S-TK5-0000-0	3" - 10-gal.	SS flanged back connection with no internal components	

*\*Consult Price List for additional options.*

← **715** - - **T K 2** - **2 Q B B** - **0** →

**Model Number**

**Fill Box Construction**

- 10-gal. powder coated steel
- S 10-gal. 304 stainless steel

**Mounting Style**

- T Tank/Wall

**Connection Location**

- K Back

**Connection Thread Size**

- 2 2" Male NPT nipple
- 3 3" Male NPT nipple
- 4 2" 150# Raised face flange
- 5 3" 150# Raised face flange

**Component Size**

- 0 Box only
- 2 2" components
- 3 3" components

## Internal Options

**Open**  
0 Box only

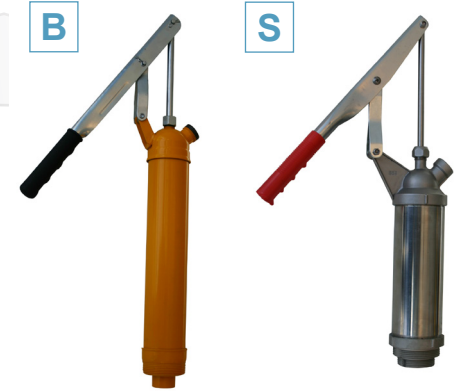
**Hand Pump Assembly**

- 0 No hand pump assembly
- B Base (Diesel) package\*

*\* Hand pump assembly base package: Steel constructed hand pump with PTFE seals and FKM o-rings, reinforced polyurethane tubing, brass check valve and ball valve.*

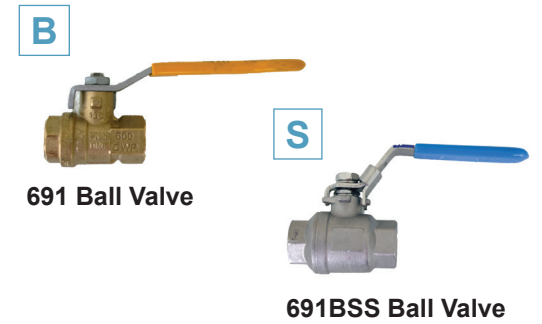
S Stainless Steel Package

*\* Hand Pump Assembly Stainless Steel Package: Stainless steel constructed hand pump with PTFE seals and FKM o-rings, reinforced polyurethane tubing, stainless steel check valve and ball valve.*



**Ball Valve**

- 0 Box only
- B Full port NPT ball valve with brass body, hard chrome plated ball & PTFE seals
- S Full port, locking, NPT ball valve with stainless steel body and ball, PTFE seals



**Inlet Connection**

- 0 Box only
- D Dry disconnect, hardcoated aluminum with stainless steel piston, FKM gaskets, and aluminum dust cap
- E Dry disconnect, stainless steel body and piston, FKM gasket, and stainless steel dust cap (only available in 2")
- Q 90° quick disconnect aluminum female coupler with stainless steel check valve, FKM seals, and aluminum dust plug
- S 90° quick disconnect stainless steel coupler with stainless steel check valve, FKM seals, and stainless steel dust plug
- M 90° quick disconnect aluminum male adaptor with stainless steel check valve, FKM seals, and aluminum dust cap



## External Options



**715--TB2**  
**715--TB3**

- ◆ 10-gallon capacity
- ◆ 14 gauge steel (powder coated white)
- ◆ 2" or 3" bottom connection
- ◆ Tank or wall mount

\*Also available

**715S-TB2**  
**715S-TB3**



**715--TB4**  
**715--TB5**

- ◆ 10-gallon capacity
- ◆ 14 gauge steel (powder coated white)
- ◆ 2" or 3" bottom connection
- ◆ Tank or wall mount

Item Number	Size	Description	Weight (lbs)
715--TB2-0000-0	10-gal.	Bottom connection with no internal components	109.0
715--TB2-2MBB-0	2" - 10-gal.	Bottom connection, male quick disconnect with plug (diesel only)	
715--TB2-2QBB-0	2" - 10-gal.	Bottom connection, female quick disconnect with plug (diesel only)	
715S-TB2-0000-0	2" - 10-gal.	Stainless steel bottom connection with no internal components	
715--TB3-0000-0	3" - 10-gal.	Bottom connection with no internal components	108.0
715S-TB3-0000-0	3" - 10-gal.	Stainless steel bottom connection with no internal components	
715--TB4-2DBB-0	2" - 10-gal.	Flanged bottom connection, dry-disconnect with cap (diesel only)	
715--TB5-3DBB-0	3" - 10-gal.	Flanged bottom connection, dry-disconnect with cap (diesel only)	
715--S400 AS		Four-leg stand, powder coated steel	
715S--S400 AS		Four-leg stand, stainless steel	

\*Consult Price List for additional options.

← **715** - - **T B 2** - **2 Q B B** - **0** →

**Model Number**

**Fill Box Construction**

- 10-gal. powder coated steel
- S 10-gal. 304 stainless steel

**Mounting Style**

- T Tank/Wall

**Connection Location**

- B Bottom

**Connection Thread Size**

- 2 2" Male NPT nipple
- 3 3" Male NPT nipple
- 4 2" 150# Raised face flange
- 5 3" 150# Raised face flange

**Component Size**

- 0 Box only
- 2 2" components
- 3 3" components

## Internal Options

**Open**  
0 Box only

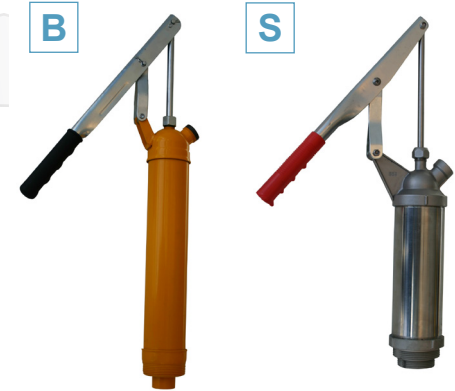
**Hand Pump Assembly**

- 0 No hand pump assembly
- B Base (Diesel) package\*

\*Hand pump assembly base package: Steel constructed hand pump with PTFE seals and FKM o-rings, reinforced polyurethane tubing, brass check valve and ball valve.

- S Stainless Steel Package

\*Hand Pump Assembly Stainless Steel Package: Stainless steel constructed hand pump with PTFE seals and FKM o-rings, reinforced polyurethane tubing, stainless steel check valve and ball valve.



**Ball Valve**

- 0 Box only
- B Full port NPT ball valve with brass body, hard chrome plated ball & PTFE seals
- S Full port, locking, NPT ball valve with stainless steel body and ball, PTFE seals



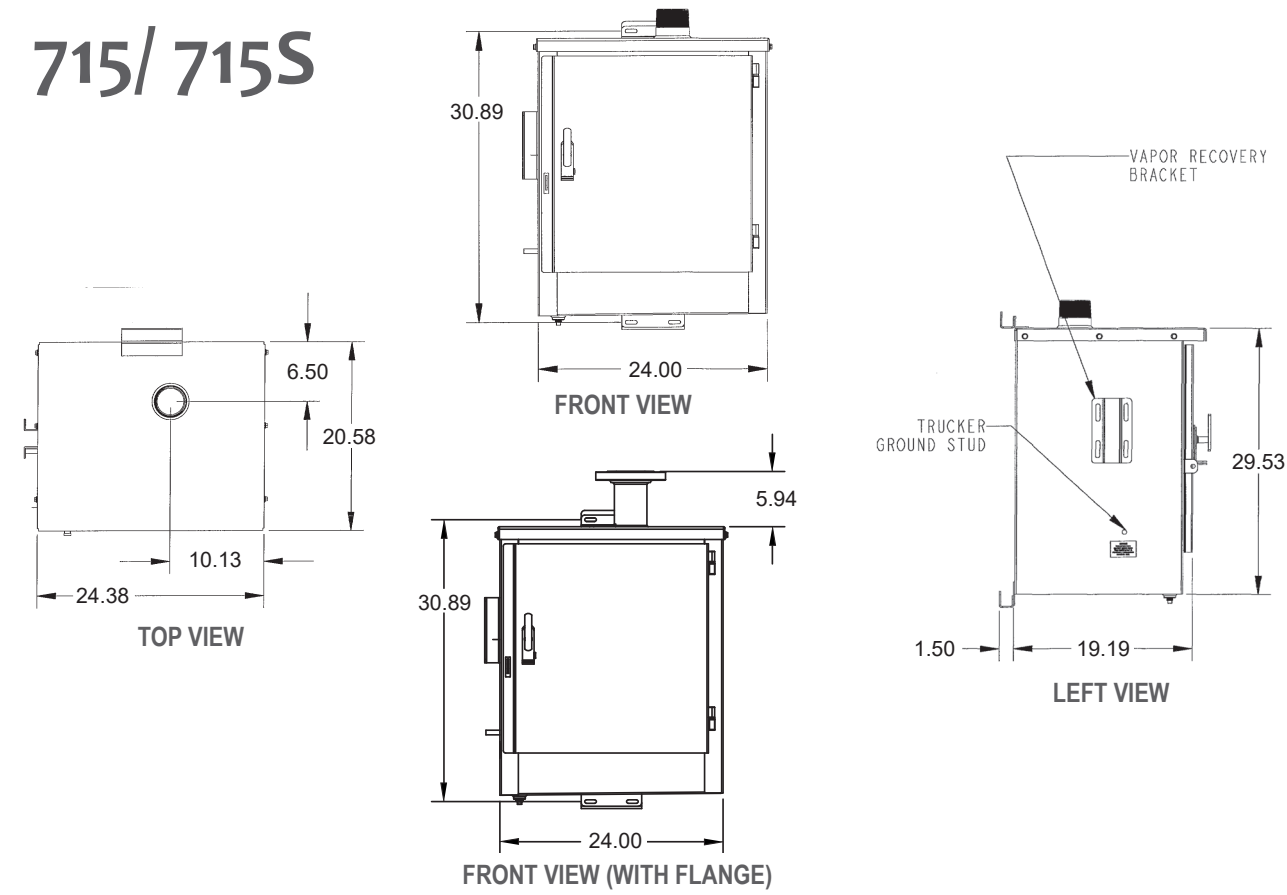
**Inlet Connection**

- 0 Box only
- D Dry disconnect, hardcoated aluminum with stainless steel piston, FKM gaskets, and aluminum dust cap
- E Dry disconnect, stainless steel body and piston, FKM gasket, and stainless steel dust cap (only available in 2")
- Q 90° quick disconnect aluminum female coupler with stainless steel check valve, FKM seals, and aluminum dust plug
- S 90° quick disconnect stainless steel coupler with stainless steel check valve, FKM seals, and stainless steel dust plug
- M 90° quick disconnect aluminum male adaptor with stainless steel check valve, FKM seals, and aluminum dust cap

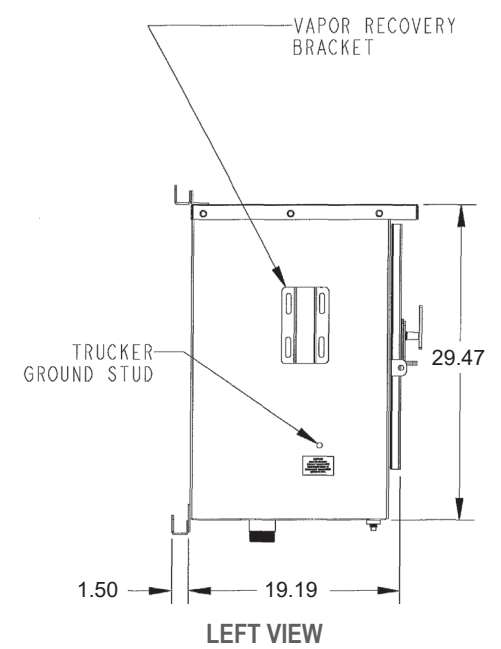
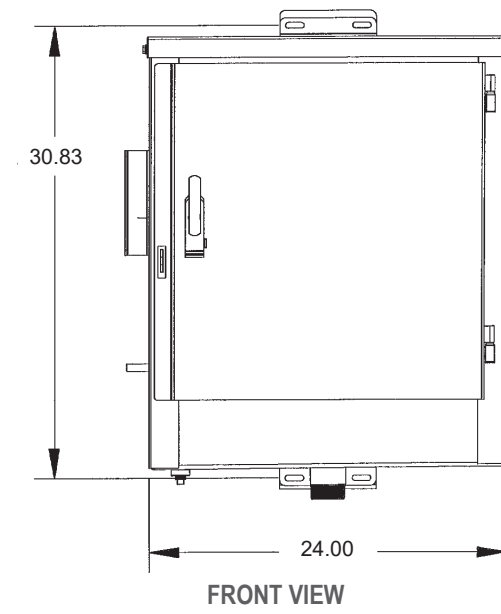
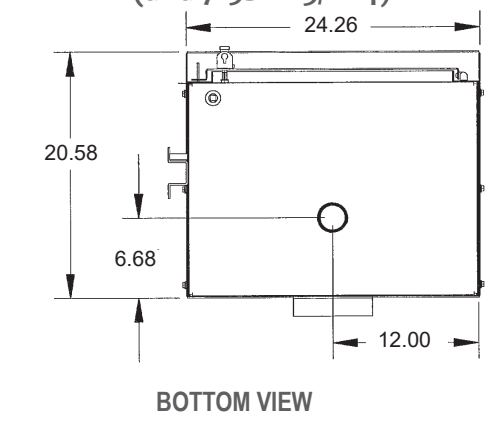


† As of March 2018, please note that Bottom Connection models are now 10-gallon capacities instead of 7-gallon. Measurements have also changed.

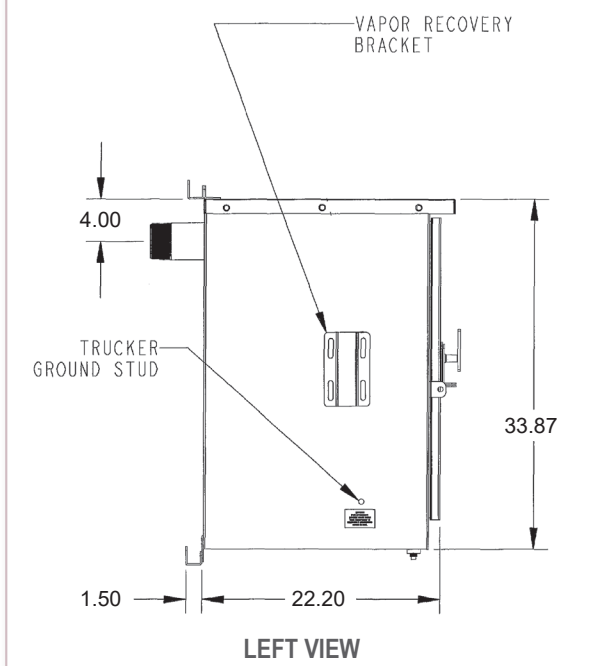
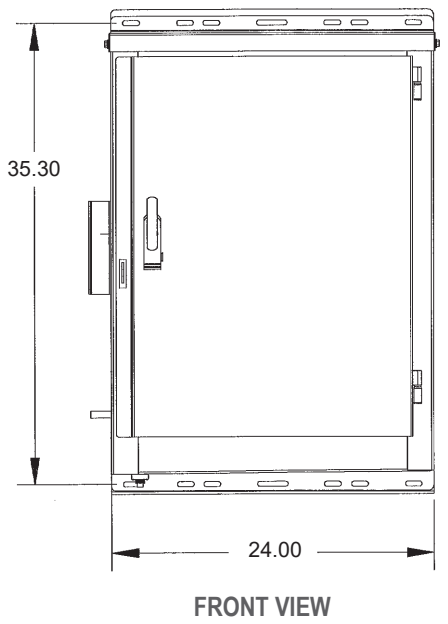
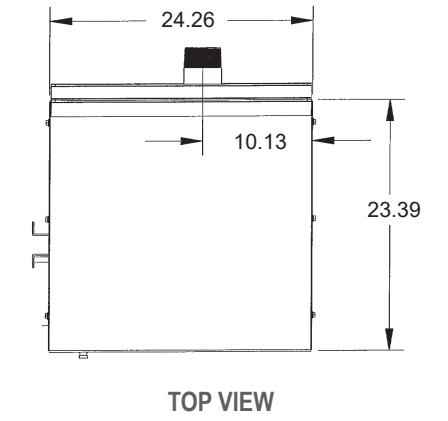
# 715/ 715S



# 715--TB2/TB3 (and 715S-TB3/TB4)



# 715--TK3 (and 715S-TK3/TK4)



# 715F/715FS

