

**Additional Options:**

• **60" Post mount kit:**  
715---P060 AK

• **Vapor recovery kits:**  
715---VR30 AK (3")  
715---VR40 AK (4")

• **Stand:**  
715---S400 AS  
715S--S400 AS

• **Mounting Plate kit:**  
715---0373 AK



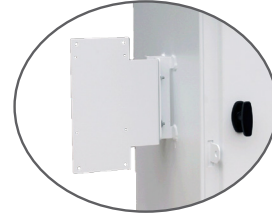
**Four-leg Stand**  
Powder-coated steel or  
stainless steel stand for  
10-gallon models



**Post Mount**  
60" Post with cap, base,  
and U-bolts



**Vapor Recovery Kit**



**Mounting Plate**

**MORRISON BROS. CO.**

**715**

**REMOTE FILL BOX SERIES**



**UL US LISTED**  
Florida DEP EQ-787

**MORRISON BROS. CO.**

570 E. 7th Street | Dubuque, IA 52001

t. 563.583.5701 | 800.553.4840 | f. 563.583.5028 | custserv@morbros.com | www.morbros.com

## External Options

← 715 - - T T 3

**715--TT2**  
**715--TT3**



- ◆ 10-gallon capacity
- ◆ 14-gauge steel (powder coated white)
- ◆ 2" or 3" top threaded connection
- ◆ Tank or wall mount

### Model Number

### Fill Box Construction

- 10 gal. powder coated steel
- S 10 gal. 304 stainless steel

### Mounting Style

- T Tank/Wall

### Outlet Location

- 0 No outlet
- F Flange
- T Top NPT male thread

### Outlet Fitting

- 0 No outlet fitting
- 2 2" Male NPT nipple
- 3 3" Male NPT nipple
- 4 2" 150# Raised face flange
- 5 3" 150# Raised face flange

### Component Size

- 0 Box only
- 2 2" components
- 3 3" components

**715S-TT2**  
**715S-TT3**



- ◆ 10-gallon capacity
- ◆ 304 stainless steel
- ◆ 2" or 3" top threaded connection
- ◆ Tank or wall mount

**715--TF4**  
**715--TF5**

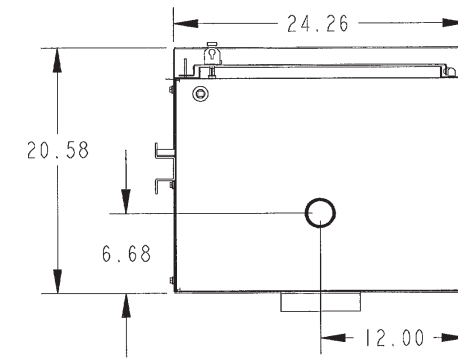


- ◆ 10-gallon capacity
- ◆ 14-gauge steel (powder coated white)
- ◆ 2" or 3" top flanged connection
- ◆ Tank or wall mount

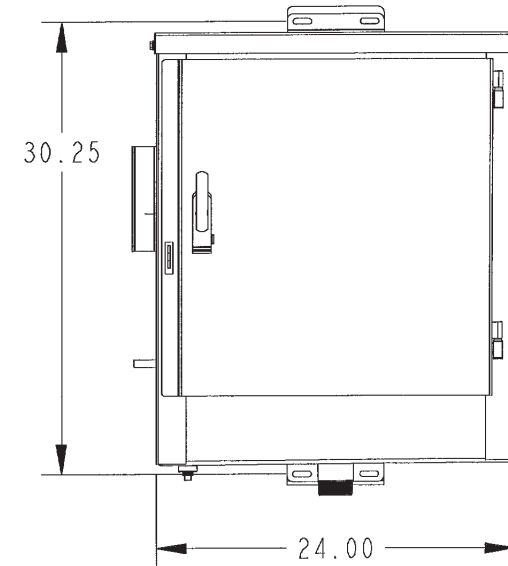
Item Number	Size	Description	Weight (lbs)
715-T00-0000-0	10-gal.	Top connection w/ no outlets	101.0
715-TT3-0000-0	3"-10-gal.	Top connection w/ no internal components	101.0
715-TT3-000B-0	3"-10-gal.	Top connection w/ hand pump	
715-TT3-2QBB-0	3"-10-gal.	Top connection w/2" AL female QD coupler, BR ball valve, hand pump	132.0
715-TT3-2MBB-0	3" -10-gal.	Top connection w/2" AL male QD adaptor, BR ball valve, hand pump	132.0
715-TT3-3QBB-0	3" -10-gal.	Top connection w/3" AL female QD coupler, BR ball valve, hand pump	144.0
715-TT3-3MBB-0	3" -10-gal.	Top connection w/3" AL male QD adaptor, BR ball valve, hand pump	144.0
715-TT3-2DBB-0	3" -10-gal.	Top connection w/2" AL dry disc adaptor, BR ball valve, hand pump	135.0
715-TT3-3DBB-0	3" -10 gal.	Top connection w/3" AL dry disc adaptor, BR ball valve, hand pump	148.0
715-TT3-2MB0-0	3" -10-gal.	Top connection w/2" AL male QD adaptor, BR ball valve	
715-TT3-3MB0-0	3" -10-gal.	Top connection w/3" AL male QD adaptor, BR ball valve	
715S-TT3-0000-0	3" -10-gal.	SS top connection w/ no internal components	101.0
715S-TT3-2QBB-0	3" -10-gal.	SS top connection w/2" AL female QD coupler, BR ball valve, hand pump	132.0
715S-TT3-2MBB-0	3" -10-gal.	SS top connection w/2" AL male QD adaptor, BR ball valve, hand pump	132.0
715S-TT3-3QBB-0	3" -10-gal.	SS top connection w/3" AL female QD coupler, BR ball valve, hand pump	144.0
715S-TT3-3MBB-0	3" -10-gal.	SS top connection w/3" AL male QD adaptor, BR ball valve, hand pump	144.0
715S-TT3-2DBB-0	3" -10-gal.	SS top connection w/2" AL disc adaptor, BR ball valve, hand pump	135.0
715S-TT3-3DBB-0	3" -10-gal.	SS top connection w/3" AL dry disc adaptor, BR ball valve, hand pump	144.0
715-TF4-0000-0	2" -10-gal.	Flanged top connection w/ no internal components	
715S-TF4-0000-0	2" -10-gal.	SS flanged top connection w/ no internal components	
715-TF5-0000-0	3" -10 gal.	Flanged top connection w/ no internal components	
715S-TF5-0000-0	3" -10-gal.	SS flanged top connection w/ no internal components	
715--VR30 AK	3"	Vapor recovery kit	7.0
715--VR40 AK	4"	Vapor recovery kit	7.0
715--P060 AK	60"	Post mount kit	
715--S400 AS		Four-leg stand, powder coated steel	
715S--S400 AS		Four-leg stand, stainless steel	

\*Consult Price List for additional options.

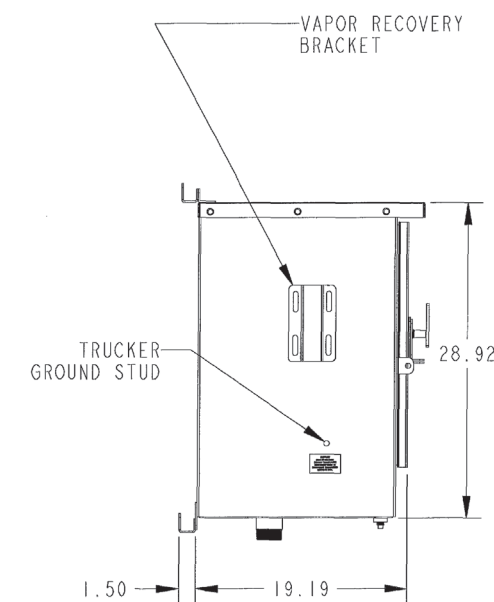
## 715---TB2/TB3



BOTTOM VIEW

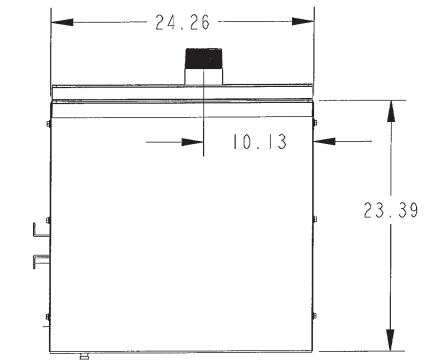


FRONT VIEW

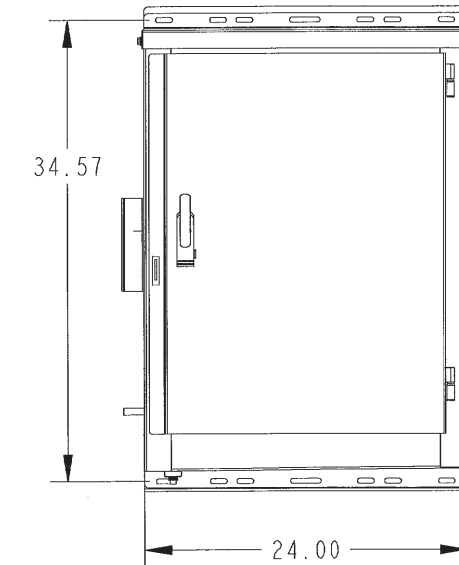


LEFT VIEW

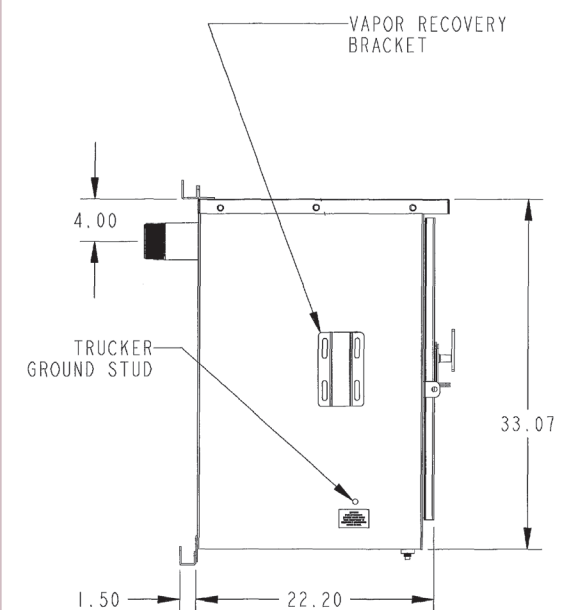
## 715---TK3



TOP VIEW

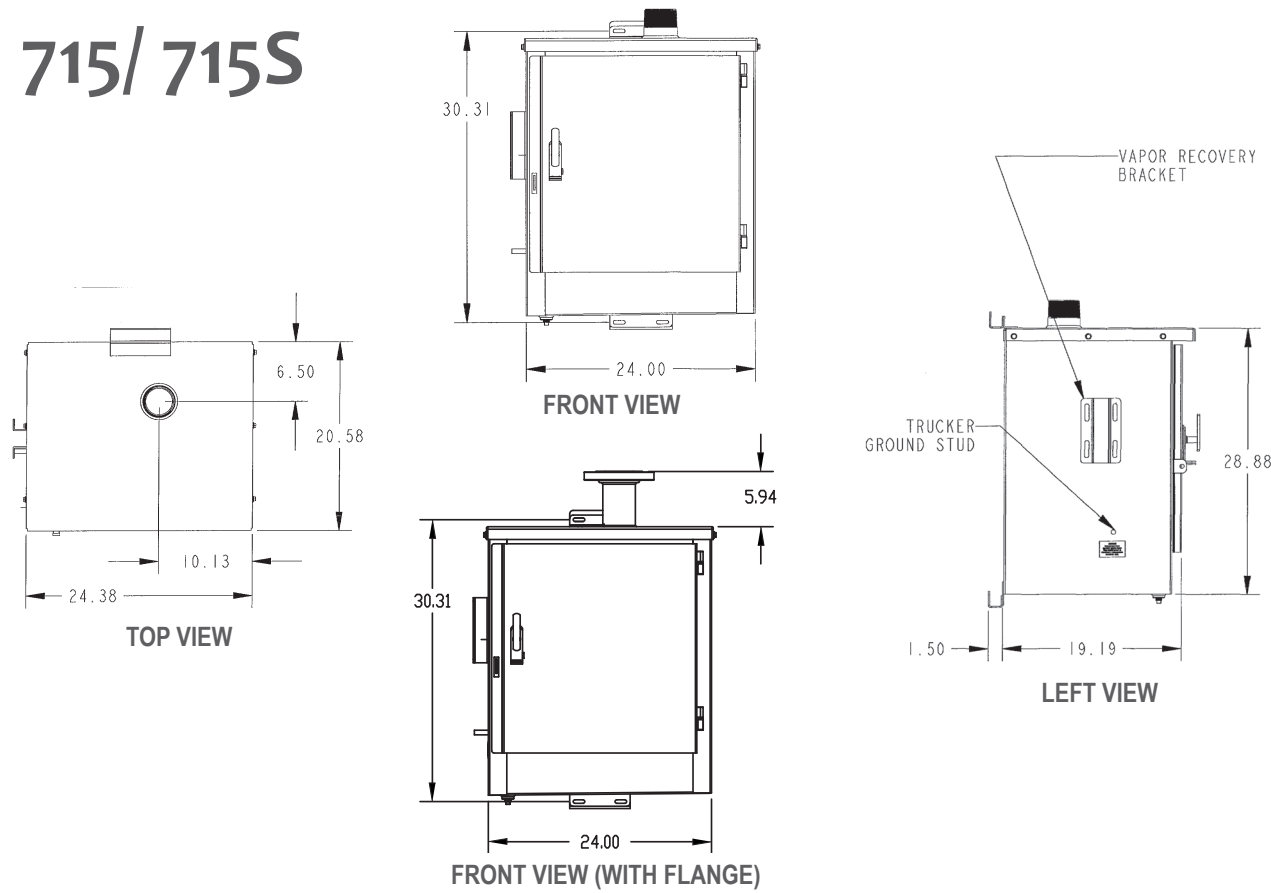


FRONT VIEW

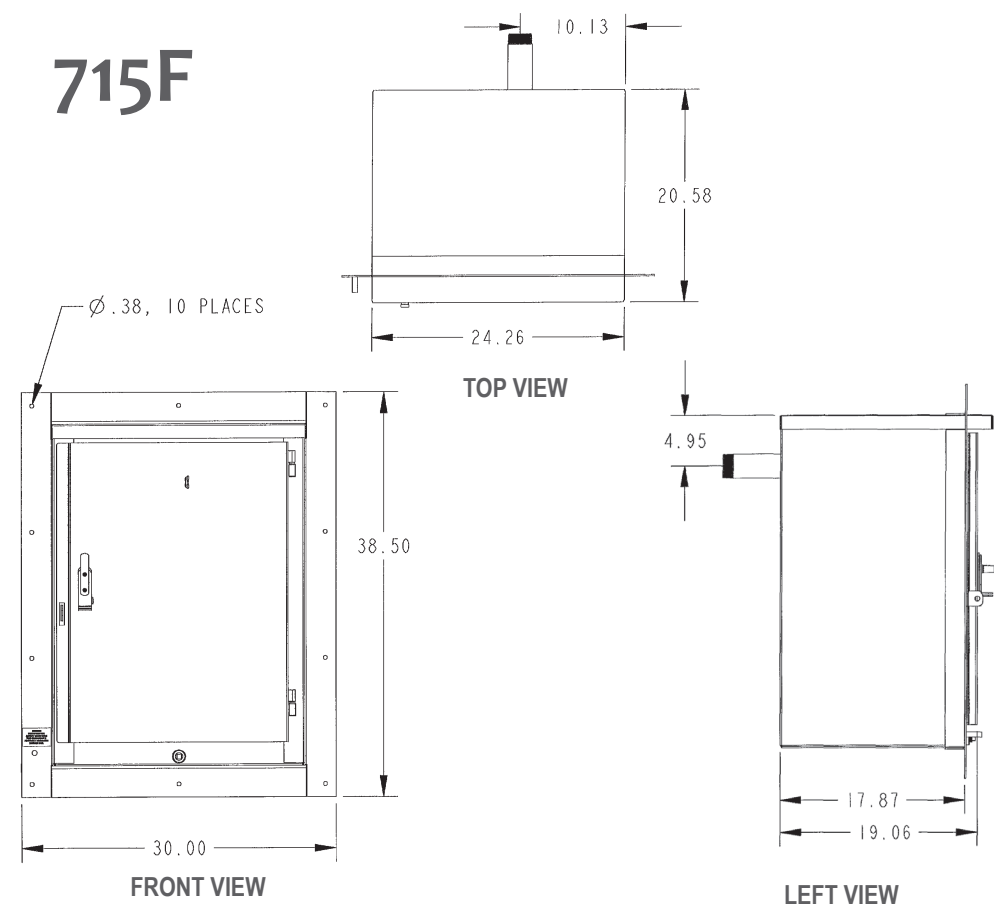


LEFT VIEW

# 715/ 715S



# 715F



## 2 Q B B - 0 → Internal Options

**Open**  
 0 Box only

### Hand Pump Assembly

0 No hand pump assembly  
 B Base package\*

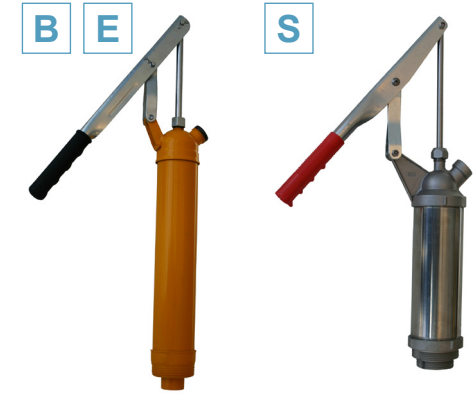
\* Hand pump assembly base package: Steel constructed hand pump with PTFE seals and FKM o-rings, reinforced polyurethane tubing, brass check valve and ball valve.

E E85 Package

\* Hand Pump Assembly E85 Package: Steel constructed hand pump with PTFE seals and FKM o-rings, reinforced polyurethane tubing, stainless steel check valve and ball valve.

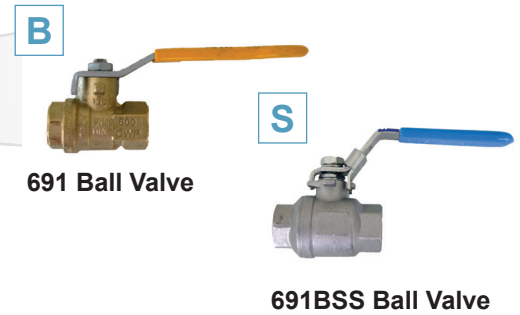
S Stainless Steel Package

\* Hand Pump Assembly Stainless Steel Package: Stainless steel constructed hand pump with PTFE seals and FKM o-rings, reinforced polyurethane tubing, stainless steel check valve and ball valve.



### Ball Valve

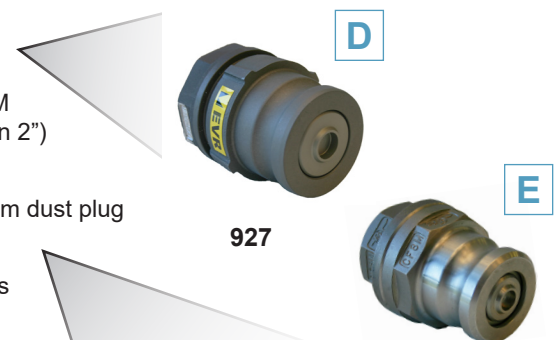
0 Box only  
 B Full port NPT ball valve with brass body, hard chrome plated ball & PTFE seals  
 S Full port, locking, NPT ball valve with stainless steel body and ball, PTFE seals



### Inlet Connection

0 Box only  
 D Dry disconnect, hardcoated aluminum with stainless steel piston, FKM gaskets, and aluminum dust cap  
 E Dry disconnect, stainless steel body and piston, FKM gasket, and stainless steel dust cap (only available in 2")  
 Q 90° quick disconnect aluminum female coupler with stainless steel check valve, FKM seals, and aluminum dust plug  
 S 90° quick disconnect stainless steel coupler with stainless steel check valve, FKM seals, and stainless steel dust plug  
 M 90° quick disconnect aluminum male adaptor with stainless steel check valve, FKM seals, and aluminum dust cap

### Dry Disconnect



### Quick Disconnect





## External Options

← 715 **F** - **T** **K** **2** - **2** **Q** **B** **B** - **0** →

## Internal Options



**715F-TK2**

- ◆ 7-gallon capacity
- ◆ 14 gauge steel (powder coated white)
- ◆ 2" back connection
- ◆ In-wall flush mount



**715FS-TK2**

- ◆ 7-gallon capacity
- ◆ 304 stainless steel
- ◆ 2" back connection
- ◆ In-wall flush mount

### Model Number

### Fill Box Construction

- F** 7-gal. powder coated flush wall mount
- FS** 7-gal. 304 stainless steel

### Mounting Style

- T** Tank/Wall

### Connection Location

- K** Back

### Connection Thread Size

- 2** 2" Male NPT nipple

### Component Size

- 2** 2" components

### Box dimensions

- Width = 24.26" (Flange = 30")
- Height = 32.51" (Flange = 38.50")
- Depth = 19"

### Rough opening dimensions for mounting

- Width = 24.875"
- Height = 33.375"

Item Number	Size	Description	Weight (lbs)
715F-TK2-0000-0	2" - 7-gal.	In-wall, back connection w/ no internal components	120.0
715F-TK2-2QBB-0	2" - 7-gal.	In-wall, back connection w/2" AL female QD coupler, BR ball valve, hand pump	162.0
715F-TK2-2MBB-0	2" - 7-gal.	In-wall, back connection w/2" AL male QD adaptor, BR ball valve, hand pump	162.0
715F-TK2-2DBB-0	2" - 7-gal.	In-wall, back connection w/2" AL dry disc adaptor, BR ball valve, hand pump	162.0
715FS-TK2-2ES0	2" - 7-gal.	SS in-wall, back connection w/2" SS dry disc adaptor, SS ball valve	129.0
715FS-TK2-2DBB	2" - 7-gal.	SS in-wall, back connection w/2" AL dry disc adaptor, BR ball valve, hand pump	129.0
715FS-TK2-2SS0	2" - 7-gal.	SS in-wall, back connection w/2" SS female QD coupler, SS ball valve	

\*Consult Price List for additional options.

### Open

- 0** Box only

### Hand Pump Assembly

- 0** No hand pump assembly
- B** Base package\*  
\* Hand pump assembly base package: Steel constructed hand pump with PTFE seals and FKM o-rings, reinforced polyurethane tubing, brass check valve and ball valve.

### E85 Package

\* Hand Pump Assembly E85 Package: Steel constructed hand pump with PTFE seals and FKM o-rings, reinforced polyurethane tubing, stainless steel check valve and ball valve.

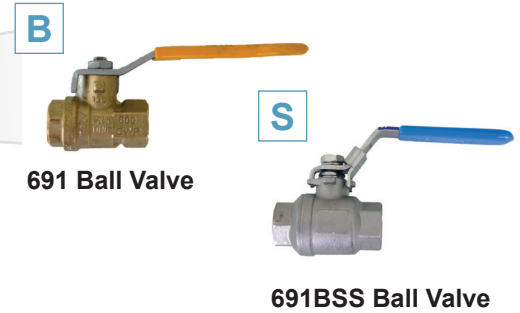
### Stainless Steel Package

\* Hand Pump Assembly Stainless Steel Package: Stainless steel constructed hand pump with PTFE seals and FKM o-rings, reinforced polyurethane tubing, stainless steel check valve and ball valve.



### Ball Valve

- 0** Box only
- B** Full port NPT ball valve with brass body, hard chrome plated ball & PTFE seals
- S** Full port, locking, NPT ball valve with stainless steel body and ball, PTFE seals



### Inlet Connection

- 0** Box only
- D** Dry disconnect, hardcoated aluminum with stainless steel piston, FKM gaskets, and aluminum dust cap
- E** Dry disconnect, stainless steel body and piston, FKM gasket, and stainless steel dust cap (only available in 2")
- Q** 90° quick disconnect aluminum female coupler with stainless steel check valve, FKM seals, and aluminum dust plug
- S** 90° quick disconnect stainless steel coupler with stainless steel check valve, FKM seals, and stainless steel dust plug
- M** 90° quick disconnect aluminum male adaptor with stainless steel check valve, FKM seals, and aluminum dust cap



## External Options

← 715 - - T B 3 - 2 Q B B - 0 →

## Internal Options



715--TB2  
or  
715--TB3

- ◆ 10-gallon capacity
- ◆ 14 gauge steel (powder coated white) or 304 stainless steel
- ◆ 2" or 3" bottom connection
- ◆ Tank or wall mount

**Model Number**  
715 - - T B 3 - 2 Q B B - 0

**Fill Box Construction**  
- 10-gal. powder coated steel  
S 10-gal. 304 stainless steel

**Mounting Style**  
T Tank/Wall

**Connection Location**  
B Bottom

**Connection Thread Size**  
2 2" Male NPT nipple  
3 3" Male NPT nipple  
4 2" 150# Raised face flange  
5 3" 150# Raised face flange

**Component Size**  
0 Box only  
2\* 2" components  
3 3" components

Item Number	Size	Description	Weight (lbs)
715--TB2-0000-0	2" - 10-gal.	Bottom connection w/ no internal components	109.0
715--TB2-2DBB-0	2" - 10-gal.	Bottom connection w/2" AL dry disc adaptor, BR ball valve, hand pump	
715--TB2-2MBB-0	2" - 10-gal.	Bottom connection, w/2" AL male QD adaptor, BR ball valve, hand pump	
715--TB2-2QBB-0	2" - 10-gal.	Bottom connection, w/2" AL female QD coupler, BR ball valve, hand pump	
715--TB3-0000-0	3" - 10-gal.	Bottom connection w/ no internal components	108.0
715--TB4-0000-0	2" - 10-gal.	Flanged bottom connection w/ no internal components	
715--TB4-3DBB-0	2" - 10-gal.	Flanged bottom connection, w/3" AL dry disc adaptor, BR ball valve, hand pump	
715--TB5-0000-0	3" - 10-gal.	Flanged bottom connection w/ no internal components	
715--TB5-3DBB-0	3" - 10-gal.	Flanged bottom connection, w/3" AL dry disc adaptor, BR ball valve, hand pump	
715--S400 AS		Four-leg stand, powder coated steel	
715S--S400 AS		Four-leg stand, stainless steel	

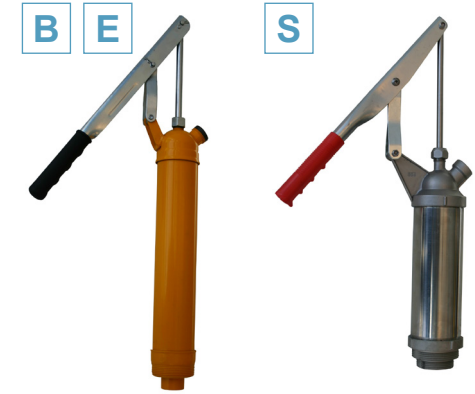
\*Consult Price List for additional options.

† As of March 2018, please note that Bottom Connection models are now 10-gallon capacities instead of 7-gallon. Measurements have also changed.

**Open**  
0 Box only

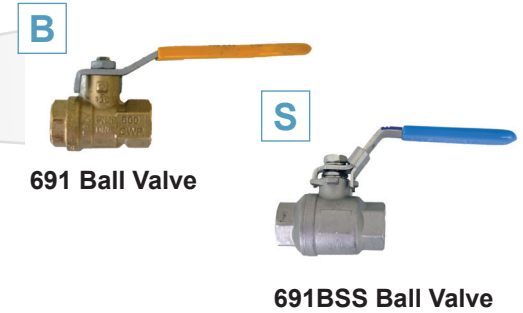
### Hand Pump Assembly

- 0 No hand pump assembly  
B Base package\*  
E E85 Package  
S Stainless Steel Package
- \* Hand pump assembly base package: Steel constructed hand pump with PTFE seals and FKM o-rings, reinforced polyurethane tubing, brass check valve and ball valve.
- \* Hand Pump Assembly E85 Package: Steel constructed hand pump with PTFE seals and FKM o-rings, reinforced polyurethane tubing, stainless steel check valve and ball valve.
- \* Hand Pump Assembly Stainless Steel Package: Stainless steel constructed hand pump with PTFE seals and FKM o-rings, reinforced polyurethane tubing, stainless steel check valve and ball valve.



### Ball Valve

- 0 Box only  
B Full port NPT ball valve with brass body, hard chrome plated ball & PTFE seals  
S Full port, locking, NPT ball valve with stainless steel body and ball, PTFE seals



### Inlet Connection

- 0 Box only  
D Dry disconnect, hardcoated aluminum with stainless steel piston, FKM gaskets, and aluminum dust cap  
E Dry disconnect, stainless steel body and piston, FKM gasket, and stainless steel dust cap (only available in 2")  
Q 90° quick disconnect aluminum female coupler with stainless steel check valve, FKM seals, and aluminum dust plug  
S 90° quick disconnect stainless steel coupler with stainless steel check valve, FKM seals, and stainless steel dust plug  
M 90° quick disconnect aluminum male adaptor with stainless steel check valve, FKM seals, and aluminum dust cap



## External Options

← 715 - - T K 3 - 2 Q B B - 0 →

## Internal Options



### 715--TK3

- ◆ 10-gallon capacity
  - ◆ 14-gauge steel (powder coated white)
  - ◆ 2" or 3" back connection
  - ◆ On-wall flush mount
- \* Four-leg stand not available for this specific model.



### 715S-TK3

- ◆ 10-gallon capacity
- ◆ 304 stainless steel
- ◆ 2" or 3" back connection
- ◆ On-wall flush mount



### 715--TK5

- ◆ 10-gallon capacity
- ◆ 14-gauge steel (powder coated white)
- ◆ 2" or 3" flanged back connection
- ◆ On-wall flush mount

Item Number	Size	Description	Weight (lbs)
715--TK3-0000-0	3" - 10-gal.	Back connection with no internal components	118.0
715--TK3-000B-0	3" - 10-gal.	Back connection, w/ hand pump	122.0
715--TK3-2QBB-0	3" - 10-gal.	Back connection, w/2" AL female QD coupler, BR ball valve, hand pump	149.0
715--TK3-2MBB-0	3" - 10-gal.	Back connection, w/2" AL male QD coupler, BR ball valve, hand pump	149.0
715--TK3-3QBB-0	3" - 10-gal.	Back connection, w/3" AL female QD coupler, BR ball valve, hand pump	161.0
715--TK3-3MBB-0	3" - 10-gal.	Back connection, w/3" AL male QD adaptor, BR ball valve, hand pump	161.0
715--TK3-2DBB-0	3" - 10-gal.	Back connection, w/2" AL dry disc adaptor, BR ball valve, hand pump	152.0
715--TK3-3DBB-0	3" - 10-gal.	Back connection, w/3" AL dry disc adaptor, BR ball valve, hand pump	165.0
715S-TK3-2SSS-0	3" - 10-gal.	SS back connection, w/2" SS female QD coupler, SS ball valve, SS hand pump	114.0
715S-TK3-2ESS-0	3" - 10-gal.	SS back connection, w/2" SS dry disc adaptor, SS ball valve, SS hand pump	129.0
715S-TK3-3SS0-0	3" - 10-gal.	SS back connection, w/3" SS female QD coupler, SS ball valve	150.0
715S-TK3-3SSS-0	3" - 10-gal.	SS back connection, w/3" SS female QD coupler, SS ball valve, SS hand pump	120.0
715S-TK3-3MBB-0	3" - 10-gal.	SS back connection, w/3" AL male QD adaptor, BR ball valve, hand pump	120.0
715S-TK3-3MS0-0	3" - 10-gal.	SS back connection, w/3" AL male QD adaptor, SS ball valve	120.0
715--TK5-0000-0	3" - 10-gal.	Flanged back connection with no internal components	

\*Consult Price List for additional options.

- Model Number**
- Fill Box Construction**
- 10-gal. powder coated steel
  - S 10-gal. 304 stainless steel
- Mounting Style**
- T Tank/Wall
- Connection Location**
- K Back

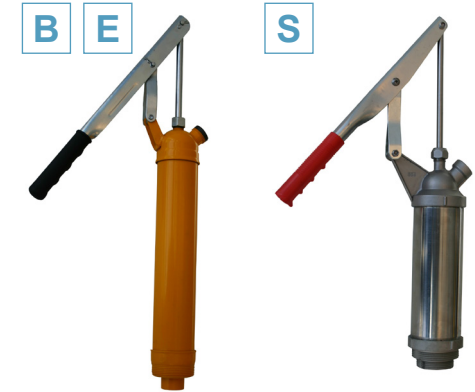
- Connection Thread Size**
- 2 2" Male NPT nipple
  - 3 3" Male NPT nipple
  - 4 2" 150# Raised face flange
  - 5 3" 150# Raised face flange

- Component Size**
- 0 Box only
  - 2 2" components
  - 3 3" components

- Open**
- 0 Box only

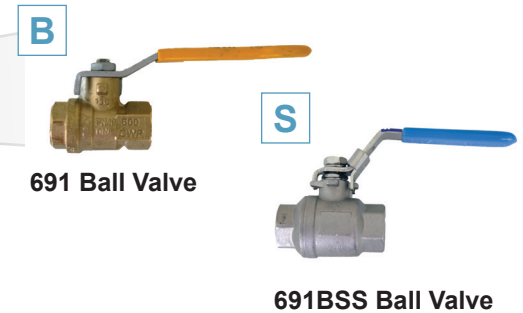
### Hand Pump Assembly

- 0 No hand pump assembly
- B Base package\*
  - \* Hand pump assembly base package: Steel constructed hand pump with PTFE seals and FKM o-rings, reinforced polyurethane tubing, brass check valve and ball valve.
- E E85 Package
  - \* Hand Pump Assembly E85 Package: Steel constructed hand pump with PTFE seals and FKM o-rings, reinforced polyurethane tubing, stainless steel check valve and ball valve.
- S Stainless Steel Package
  - \* Hand Pump Assembly Stainless Steel Package: Stainless steel constructed hand pump with PTFE seals and FKM o-rings, reinforced polyurethane tubing, stainless steel check valve and ball valve.



### Ball Valve

- 0 Box only
- B Full port NPT ball valve with brass body, hard chrome plated ball & PTFE seals
- S Full port, locking, NPT ball valve with stainless steel body and ball, PTFE seals



### Inlet Connection

- 0 Box only
- D Dry disconnect, hardcoated aluminum with stainless steel piston, FKM gaskets, and aluminum dust cap
- E Dry disconnect, stainless steel body and piston, FKM gasket, and stainless steel dust cap (only available in 2")
- Q 90° quick disconnect aluminum female coupler with stainless steel check valve, FKM seals, and aluminum dust plug
- S 90° quick disconnect stainless steel coupler with stainless steel check valve, FKM seals, and stainless steel dust plug
- M 90° quick disconnect aluminum male adaptor with stainless steel check valve, FKM seals, and aluminum dust cap

