

Additional Options:

- 60" Post mount kit:
715---P060 AK
- Vapor recovery kits:
715---VR30 AK (3")
715---VR40 AK (4")
- Stand:
715---S400 AS
715S--S400 AS
- Mounting Plate:
715---0373 AK



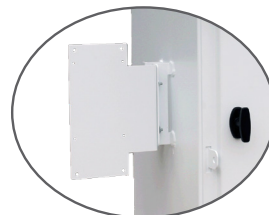
Four-leg Stand
Powder-coated steel stand for
10-gallon models



Post Mount
60" Post with cap, base,
and U-bolts



Vapor Recovery Kit



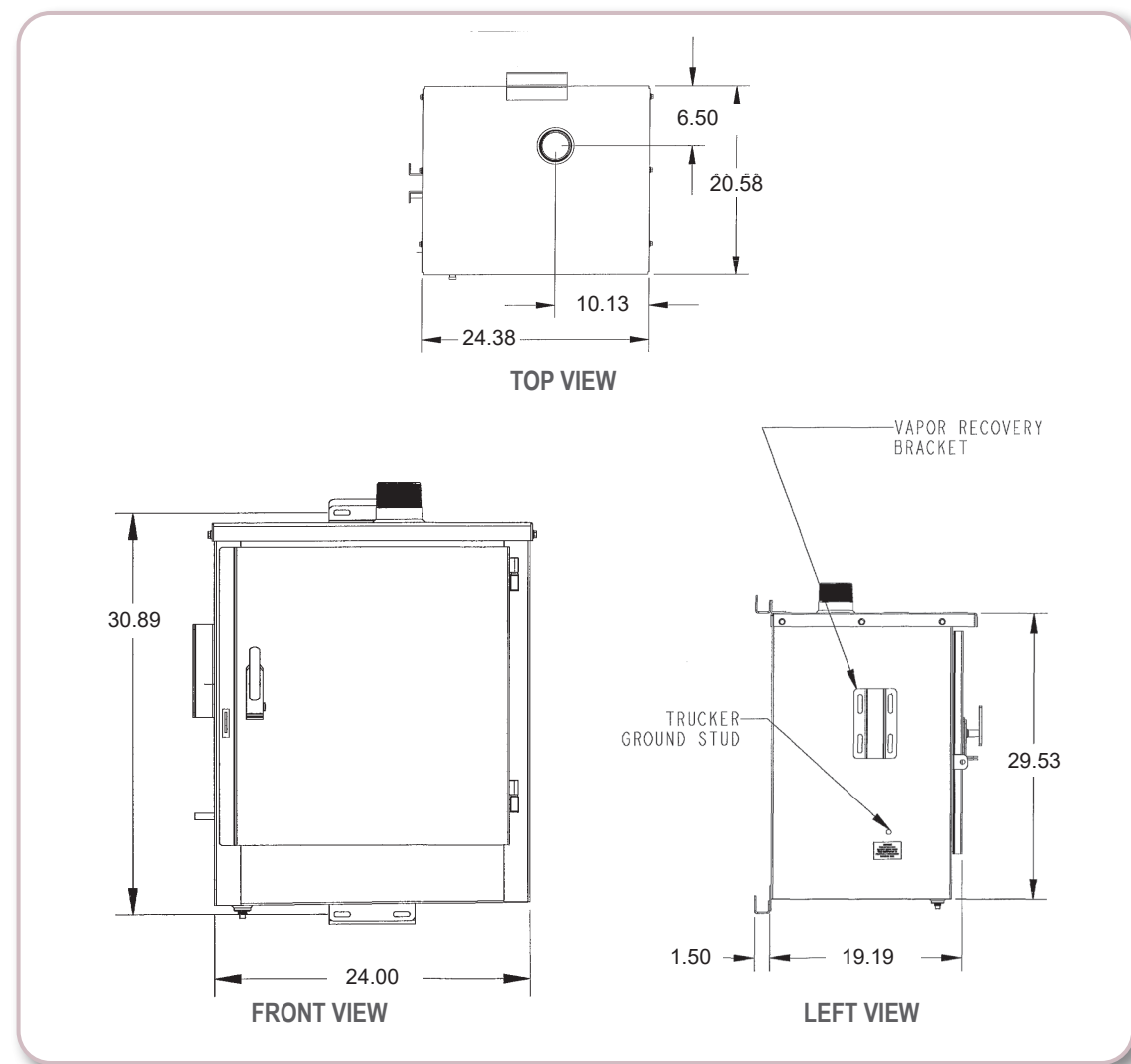
Mounting Plate

MORRISON BROS. CO.

715 & 715S

Remote Fill Box Series:

TOP CONNECTION



Florida DEP EQ-787



Features:

- ♦ 10-gallon (37.85 liter) capacity
- ♦ 14 gauge steel (powder coated white) or 304 stainless steel
- ♦ Pad-lockable
- ♦ Integral grounding stud
- ♦ Vapor recovery mounting brackets
- ♦ Sloped bottom (right to left)
- ♦ Drain located in front left corner

MORRISON BROS. CO.

570 E. 7th Street | Dubuque, IA 52001

t. 563.583.5701 | 800.553.4840 | f. 563.583.5028 | custserv@morbros.com | www.morbros.com

External Options



715--TT2
715--TT3

- ◆ 10-gallon capacity
- ◆ 14-gauge steel (powder coated white)
- ◆ 2" or 3" top threaded connection
- ◆ Tank or wall mount



715S-TT2
715S-TT3

- ◆ 10-gallon capacity
- ◆ 304 stainless steel
- ◆ 2" or 3" top threaded connection
- ◆ Tank or wall mount



715--TF4
715--TF5

- ◆ 10-gallon capacity
- ◆ 14-gauge steel (powder coated white)
- ◆ 2" or 3" top threaded connection
- ◆ Tank or wall mount

*Also available

715S-TF4
715S-TF5

Item Number	Size	Description	Weight (lbs)
715--TT2-0000-0	2" - 10-gal.	Top connection with no internal components	
715--TT3-0000-0	3"-10-gal.	Top connection with no internal components	101.0
715--TT3-2QBB-0	2"-10-gal.	Top connection, female quick disconnect with plug (diesel only)	132.0
715--TT3-2MBB-0	2" - 10-gal.	Top connection, male quick disconnect with cap (diesel only)	132.0
715--TT3-3QBB-0	3" - 10-gal.	Top connection, female quick disconnect with plug (diesel only)	144.0
715--TT3-3MBB-0	3" - 10-gal.	Top connection, male quick disconnect with cap (diesel only)	144.0
715--TT3-2DBB-0	2" - 10-gal.	Top connection, dry-disconnect with cap (diesel only)	135.0
715--TT3-3DBB-0	3" - 10 gal.	Top connection, dry-disconnect with cap (diesel only)	148.0
715--TT3-2MB0-0	2" - 10-gal.	Top connection, male quick disconnect with ball valve	
715--TT3-3MB0-0	3" - 10-gal.	Top connection, male quick disconnect with ball valve	
715S-TT2-0000-0	2" - 10-gal.	Stainless steel top connection with no internal components	
715S-TT3-0000-0	3" - 10-gal.	Stainless steel top connection with no internal components	101.0
715S-TT3-2QBB-0	2" - 10-gal.	Stainless steel top connection, female quick disconnect w/ plug (diesel only)	132.0
715S-TT3-2MBB-0	2" - 10-gal.	Stainless steel top connection, male quick disconnect w/ cap (diesel only)	132.0
715S-TT3-3QBB-0	3" - 10-gal.	Stainless steel top connection, female quick disconnect w/ plug (diesel only)	144.0
715S-TT3-3MBB-0	3" - 10-gal.	Stainless steel top connection, male quick disconnect w/ cap (diesel only)	144.0
715S-TT3-2DBB-0	2" - 10-gal.	Stainless steel top connection, dry-disconnect with cap (diesel only)	135.0
715S-TT3-3DBB-0	3" - 10-gal.	Stainless steel top connection, dry-disconnect with cap (diesel only)	144.0
715--TF4-0000-0	2" - 10-gal.	Flanged top connection with no internal components	
715S-TF4-0000-0	2" - 10-gal.	SS flanged top connection with no internal components	
715--TF5-0000-0	3" - 10 gal.	Flanged top connection with no internal components	
715S-TF5-0000-0	3" - 10-gal.	SS flanged top connection with no internal components	
715--VR30 AK	3"	Vapor recovery kit	7.0
715--VR40 AK	4"	Vapor recovery kit	7.0
715--P060 AK	60"	Post mount kit	
715--S400 AS		Four-leg stand, powder coated steel	
715S--S400 AS		Four-leg stand, stainless steel	

*Consult Price List for additional options.

← **715** - - **TT2** - **2QBB** - **0** →

- Model Number**
- Fill Box Construction**
- 10-gal. powder coated steel
 - S 10-gal. 304 stainless steel
- Mounting Style**
- T Tank/Wall
- Connection Location**
- 0 No outlet
 - F Top Flange
 - T Top NPT male thread
- Connection Thread Size**
- 0 No outlet fitting
 - 2 2" Male NPT nipple
 - 3 3" Male NPT nipple
 - 4 2" 150# Raised face flange
 - 5 3" 150# Raised face flange
- Component Size**
- 0 Box only
 - 2 2" components
 - 3 3" components

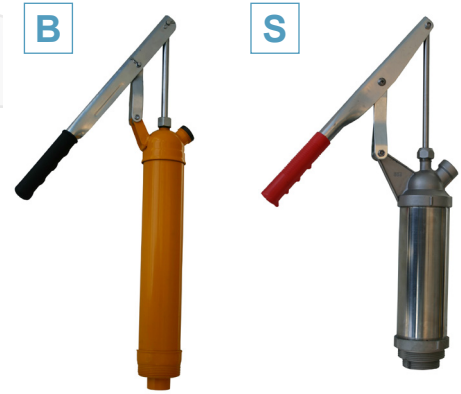
Internal Options

Open

- 0 Box only

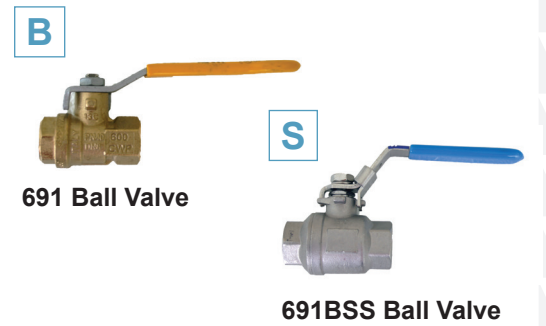
Hand Pump Assembly

- 0 No hand pump assembly
- B Base (Diesel) package*
* Hand pump assembly base package: Steel constructed hand pump with PTFE seals and FKM o-rings, reinforced polyurethane tubing, brass check valve and ball valve.
- S Stainless Steel Package
* Hand Pump Assembly Stainless Steel Package: Stainless steel constructed hand pump with PTFE seals and FKM o-rings, reinforced polyurethane tubing, stainless steel check valve and ball valve.



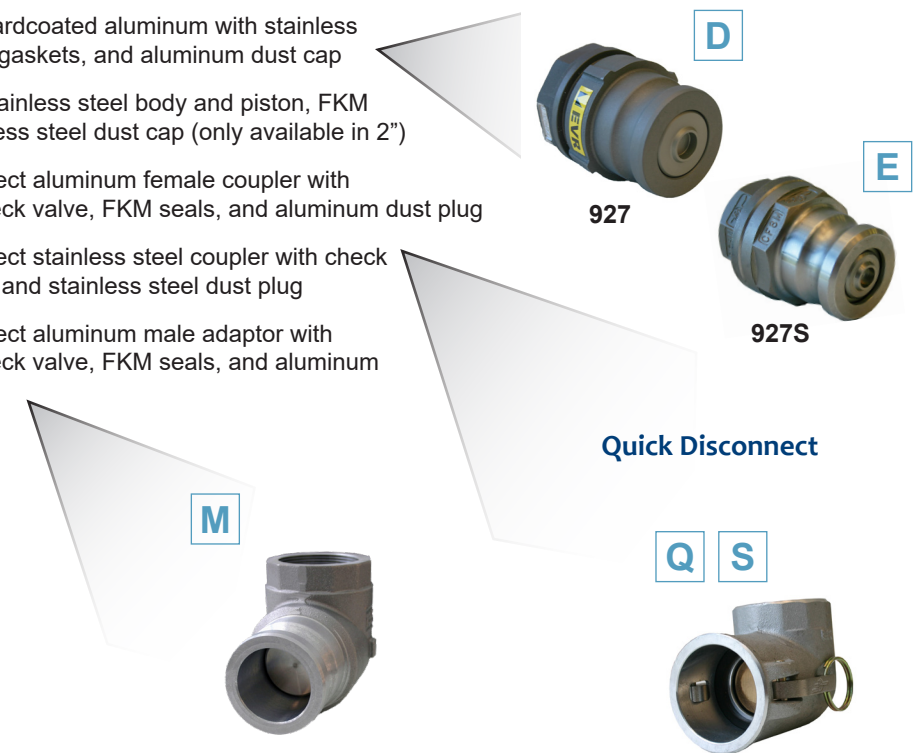
Ball Valve

- 0 Box only
- B Full port NPT ball valve with brass body, hard chrome plated ball & PTFE seals
- S Full port, locking, NPT ball valve with stainless steel body and ball, PTFE seals



Inlet Connection

- 0 Box only
- D Dry disconnect, hardcoated aluminum with stainless steel piston, FKM gaskets, and aluminum dust cap
- E Dry disconnect, stainless steel body and piston, FKM gasket, and stainless steel dust cap (only available in 2")
- Q 90° quick disconnect aluminum female coupler with stainless steel check valve, FKM seals, and aluminum dust plug
- S 90° quick disconnect stainless steel coupler with check valve, FKM seals, and stainless steel dust plug
- M 90° quick disconnect aluminum male adaptor with stainless steel check valve, FKM seals, and aluminum dust cap



*Option Q now has FKM seals (previously Buna seals)

