



Model 715 Remote Fill Box -Bottom Connection

SPECIFICATION SHEET

The 715 series remote fill box is a simple 10-gallon capacity cabinet that provides containment of small spills during tank filling operations.

Features

- 10-gallon (37.85 liter)
- 14 gauge steel (powder coated white)
- 2" or 3" male NPT threaded or flanged bottom connection
- Pad-lockable
- Integral grounding stud
- Vapor recovery mounting brackets
- Sloped bottom to drain
- Drain located in front
- Four-leg stands are also available in powder coated steel and stainless steel

Construction Details

- Box and door are 14-gauge steel, powder coated white, or 304 stainless steel (special order item with longer lead times)
- Ball valve is Morrison 691 series brass or 691BSS series stainless steel
- Quick disconnect coupler and plug are aluminum, anodized aluminum, or stainless steel
- Quick disconnect adaptor and cap are anodized aluminum
- Dry disconnect adaptor and cap are aluminum, anodized aluminum, or stainless steel

Box dimensions

Width = 24.26"

Height = 29.47" (Flange included = 35.35")

Depth = 19.19"

Approvals

UL 2583 Listed; Florida DEP EQ-787

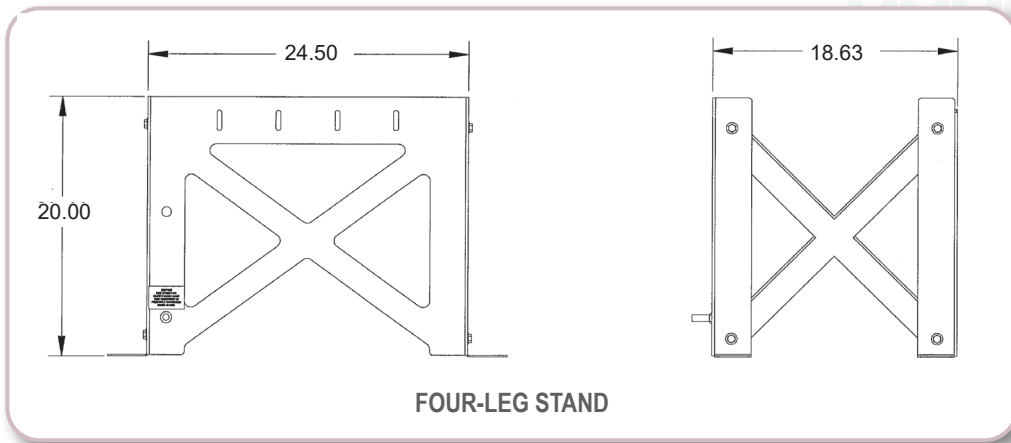
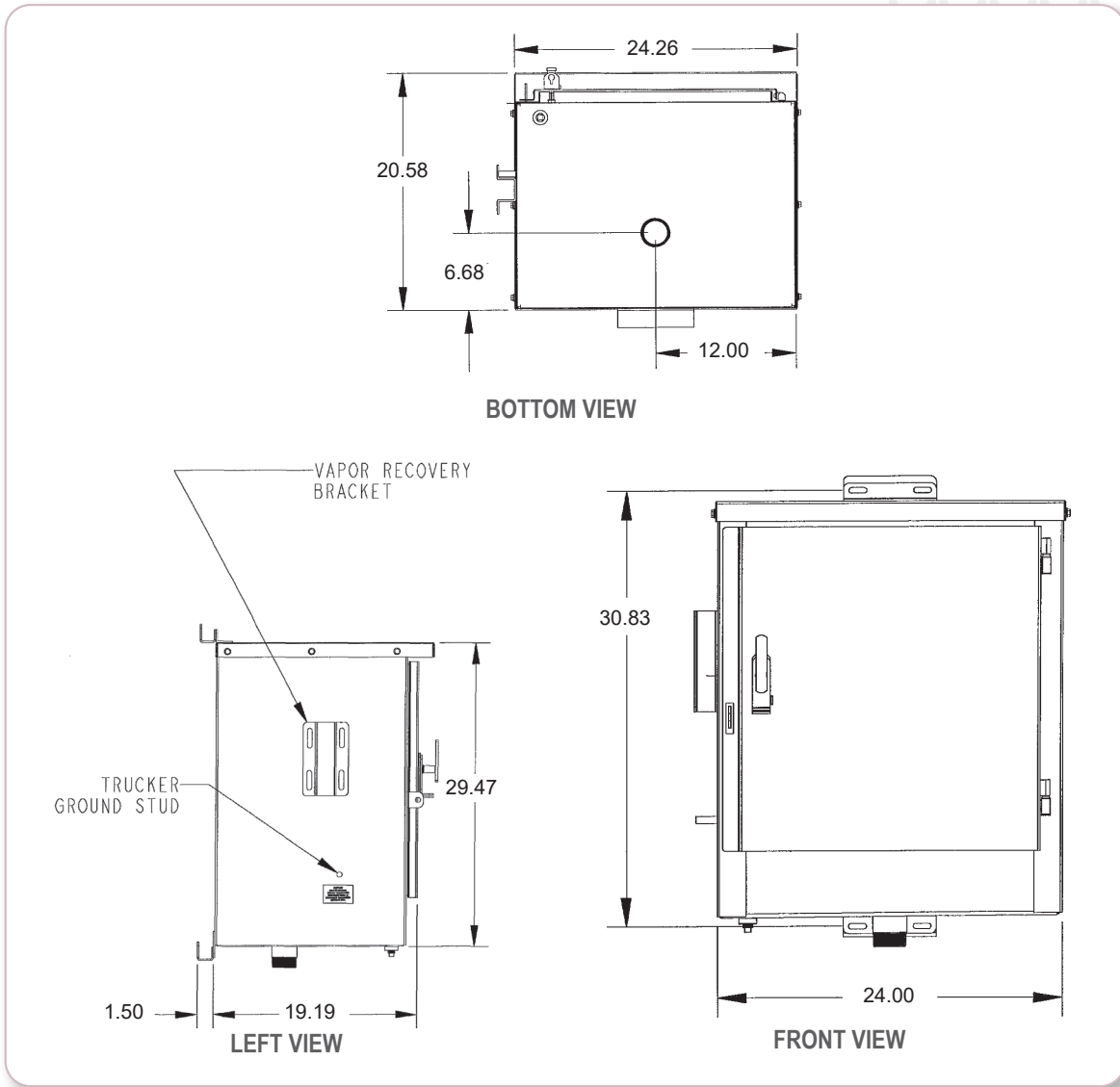
Item Number	Size	Description
715--TB2-0000-0	2"—10 gal.	Bottom connection w/ no internal components
715--TB3-0000-0	3"—10 gal.	Bottom connection w/ no internal components
715--TB4-0000-0	2"—10 gal.	Flanged bottom connection w/ no internal components
715--TB5-0000-0	3"—10 gal.	Flanged bottom connection w/ no internal components
715S-TB2-0000-0	2"—10 gal.	Stainless steel bottom connection w/ no internal components
715S-TB3-0000-0	3"—10 gal.	Stainless steel bottom connection w/ no internal components
715--S400 AS		4 leg stand, powder coated steel
715S--S400 AS		4 leg stand, stainless steel
715--0373 2K		Mounting plate assembly kit

*Please consult Price List for additional options.



† As of March 2018, please note that Bottom Connection models are now 10-gallon capacities instead of 7-gallon. Measurements have also changed.





715 Part Numbering System

How to “Build-a-Box”

To order, simply select desired option from each category and insert the corresponding letter or number in the appropriate space below.

Example:

715 - - **T B 2** - **2 Q B B** - **0**

Model Number

Fill Box Construction

- 10 gal. powder coated steel
- S** 10 gal. 304 stainless steel
- F** 7 gal. powder coated in-wall mount
- FS** 7 gal. 304 stainless steel in-wall mount

Mounting Style

- T** Tank/Wall

Connection Location

- 0** No outlet
- B** Bottom
- F** Top Flange
- K** Back
- T** Top NPT male thread

Connection Thread Size

- 0** No outlet fitting
- 2** 2" Male NPT nipple
- 3** 3" Male NPT nipple
- 4** 2" 150# Raised face flange
- 5** 3" 150# Raised face flange

Component Size

- 0** Box only
- 2** 2" components
- 3** 3" components

Open

- 0** Box only

Hand Pump Assembly

- 0** No hand pump assembly
- B** Base (Diesel) package*

** Hand pump assembly base package: Steel constructed hand pump with PTFE seals and FKM o-rings, reinforced polyurethane tubing, brass check valve and ball valve.*

S Stainless Steel Package

** Hand Pump Assembly Stainless Steel Package: Stainless steel constructed hand pump with PTFE seals and FKM o-rings, reinforced polyurethane tubing, stainless steel check valve and ball valve.*

Ball Valve

- 0** Box only
- B** Full port NPT ball valve with brass body, hard chrome plated ball & PTFE seals
- S** Full port, locking, NPT ball valve with stainless steel body and ball, PTFE seals

Inlet Connection

- 0** Box only
- D** Dry disconnect, hardcoated aluminum with stainless steel piston, FKM gaskets, and aluminum dust cap
- E** Dry disconnect, stainless steel body and piston, FKM gasket, and stainless steel dust cap (only available in 2")
- Q** 90° quick disconnect aluminum female coupler with brass check valve, FKM seals, and aluminum dust plug
- S** 90° quick disconnect stainless steel coupler with check valve, FKM seals, and stainless steel dust plug
- M** 90° quick disconnect aluminum male adaptor with stainless steel check valve, FKM seals, and aluminum dust cap

Additional Options:

- 60" Post mount kit: 715---P060 AK
- Mounting Plate: 715---0373 AK (not compatible with in-wall models)
- Stand: 715---S400 AS (4-leg stand, powder coated steel)
- Stand: 715S--S400 AS (4-leg stand, stainless steel)
- Vapor recovery kits: 715---VR30 AK (3") and 715---VR40 AK (4")



For a complete listing of 715 item numbers, please refer to the Morrison Price List.

570 E. 7th Street | Dubuque, IA 52001
t. 563.583.5701 | 800.553.4840 | f. 563.583.5028
www.morbros.com