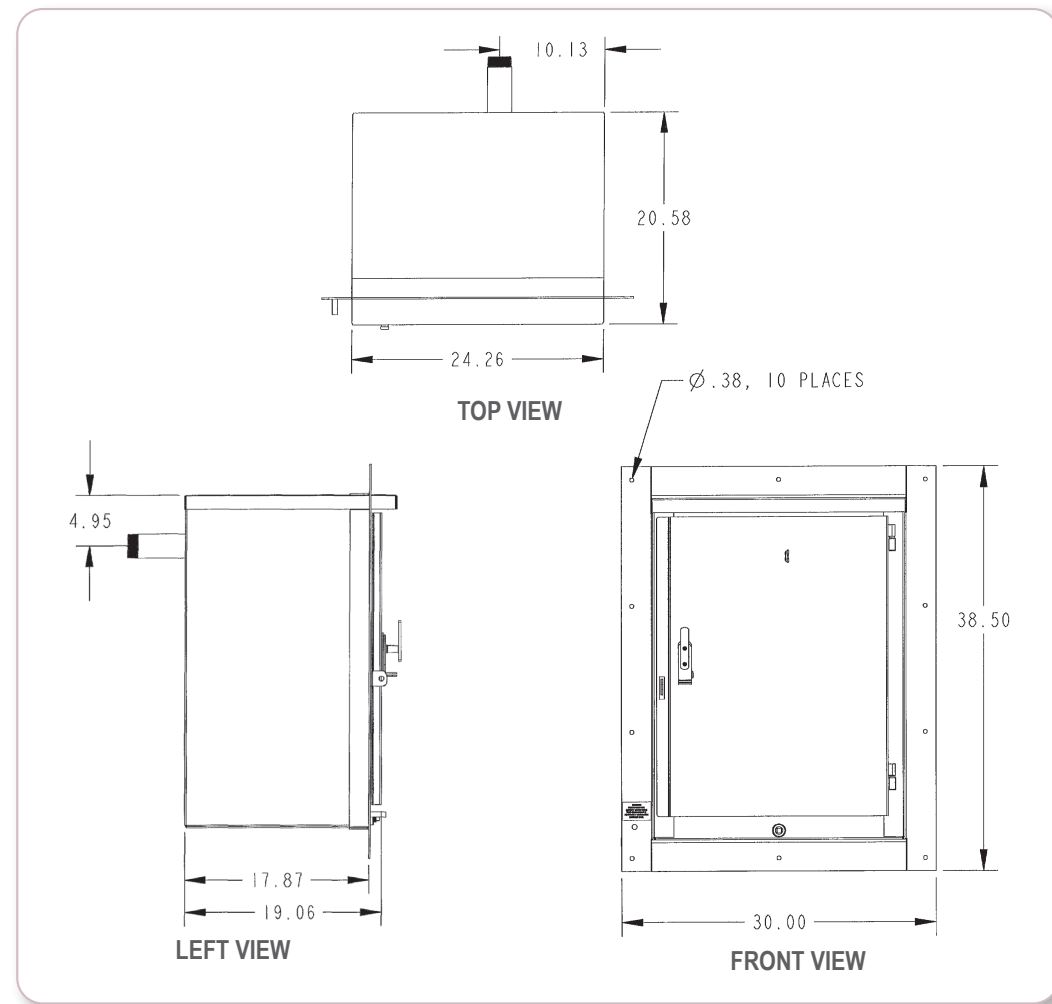


715F

Remote Fill Box Series: IN-WALL, BACK CONNECTION



**Rough opening dimensions
for mounting**

- Width = 24.875"
- Height = 33.375"



Florida DEP EQ-787



CAN-ULC-S663-11

Features:

- ◆ 7-gallon (26.5 liter) capacity
- ◆ 14 gauge steel (powder coated white) or 304 stainless steel
- ◆ Pad-lockable
- ◆ Integral grounding stud
- ◆ Drain located in front center

External Options

← 715 **F** - **T** **K** **2** - **2** **Q** **B** **B** - **0** →

Internal Options

715F-TK2



- ◆ 7-gallon (26.5 liter) capacity
 - ◆ 14 gauge steel (powder coated white)
 - ◆ 2" and 3" back connection
 - ◆ In-wall flush mount
- *See back page for dimensions.

715FS-TK2



- ◆ 7-gallon capacity (26.5 liter)
 - ◆ 304 stainless steel
 - ◆ 2" and 3" back connection
 - ◆ In-wall flush mount
- *See back page for dimensions.

Item Number	Size	Description	Weight (lbs)
715F-TK2-0000-0	2" - 7-gal.	In-wall, back connection with no internal components	120.0
715F-TK2-2QBB-0	2" - 7-gal.	In-wall, back connection, female quick disconnect with plug	162.0
715F-TK2-2MBB-0	2" - 7-gal.	In-wall, back connection, male quick disconnect with cap	162.0
715F-TK2-2DBB-0	2" - 7-gal.	In-wall, back connection, dry-disconnect with cap	162.0
715F-TK3-0000-0	3"—7 gal.	In-wall, back connection w/ no internal components	N/A
715F-TK3-3DBB-0	3"—7 gal.	In-wall, back connection w/3" AL dry disc adaptor, BR ball valve, hand pump	N/A
715FS-TK2-2ES0	2" - 7-gal.	SS in-wall, back connection, DEF, with stainless steel dry-disconnect and stainless steel ball valve	129.0
715FS-TK2-2DBB	2" - 7-gal.	SS in-wall, back connection, dry disconnect with cap	129.0
715FS-TK2-2SS0	2" - 7-gal.	SS in-wall, back connection, DEF, stainless steel quick disconnect & stainless steel ball valve	

*Consult Price List for additional options.

Model Number

Fill Box Construction

- F** 7-gal. powder coated flush wall mount
- S** 7-gal. 304 stainless steel

Mounting Style

- T** Tank/Wall

Connection Location

- K** Back

Connection Thread Size

- 2** 2" Male NPT nipple

Component Size

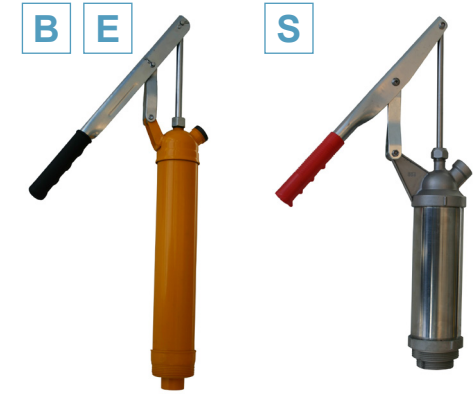
- 2*** 2" components
- * 2" transition between outlet fitting and ball valve.

Open

- 0** Box only

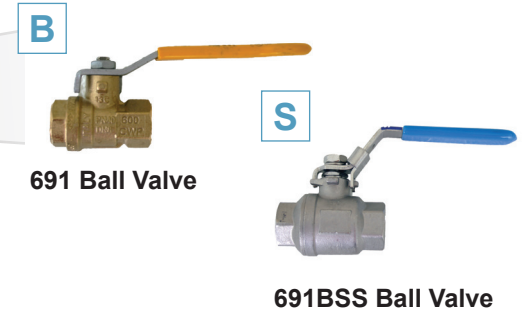
Hand Pump Assembly

- 0** No hand pump assembly
- B** Base package*
* Hand pump assembly base package: Steel constructed hand pump with PTFE seals and FKM o-rings, reinforced polyurethane tubing, brass check valve and ball valve.
- E** E85 Package
* Hand Pump Assembly E85 Package: Steel constructed hand pump with PTFE seals and FKM o-rings, reinforced polyurethane tubing, stainless steel check valve and ball valve.
- S** Stainless Steel Package
* Hand Pump Assembly Stainless Steel Package: Stainless steel constructed hand pump with PTFE seals and FKM o-rings, reinforced polyurethane tubing, stainless steel check valve and ball valve.



Ball Valve

- 0** Box only
- B** Full port NPT ball valve with brass body, hard chrome plated ball & PTFE seals
- S** Full port, locking, NPT ball valve with stainless steel body and ball, PTFE seals



Inlet Connection

- 0** Box only
- D** Dry disconnect, hardcoated aluminum with stainless steel piston, FKM gaskets, and aluminum dust cap
- E** Dry disconnect, stainless steel body and piston, FKM gasket, and stainless steel dust cap (only available in 2")
- Q** 90° quick disconnect aluminum female coupler with stainless steel check valve, FKM seals, and aluminum dust plug
- S** 90° quick disconnect stainless steel coupler with check valve, FKM seals, and stainless steel dust plug
- M** 90° quick disconnect aluminum male adaptor with stainless steel check valve, FKM seals, and aluminum dust cap



*Option Q now has FKM seals (previously Buna seals)