



The 715F series remote fill box is a simple 7-gallon capacity cabinet that provides containment of small spills during tank filling operations. Each unit is supplied with wall mounting flanges for easy installation.

## Features

- 7-gallon (26.5 liter) capacity
- 2" and 3" male NPT threaded back connection
- Installs into a wall, flush, and out of the way
- Vented and weatherproof
- Hinged door is lockable with a padlock
- Drain located bottom front center
- Available with hand pump assembly, ball valve, quick disconnect check valve coupler/adaptor, dry disconnect adaptor, and dust cap/plug in 2" connection
- All connection assemblies are factory installed and tested prior to shipping
- Aviation and E-85 models available

## Construction Details

- Box and door are 14-gauge steel, powder coated white or 304 stainless steel
- Ball valve is Morrison 691 series brass or 691BSS series stainless steel
- Quick disconnect coupler and plug are aluminum, anodized aluminum, or stainless steel
- Quick disconnect adaptor and cap are anodized aluminum
- Dry disconnect adaptor and cap are aluminum, anodized aluminum, or stainless steel
- Hand pump is steel construction, PTFE seals with FKM o-rings, or stainless steel with PTFE and FKM

## Box dimensions

- Width = 24.26" (Flange = 30")
- Height = 32.51" (Flange = 38.50")
- Depth = 19"

## Rough opening dimensions for mounting

- Width = 24.875"
- Height = 33.375"

## Approvals

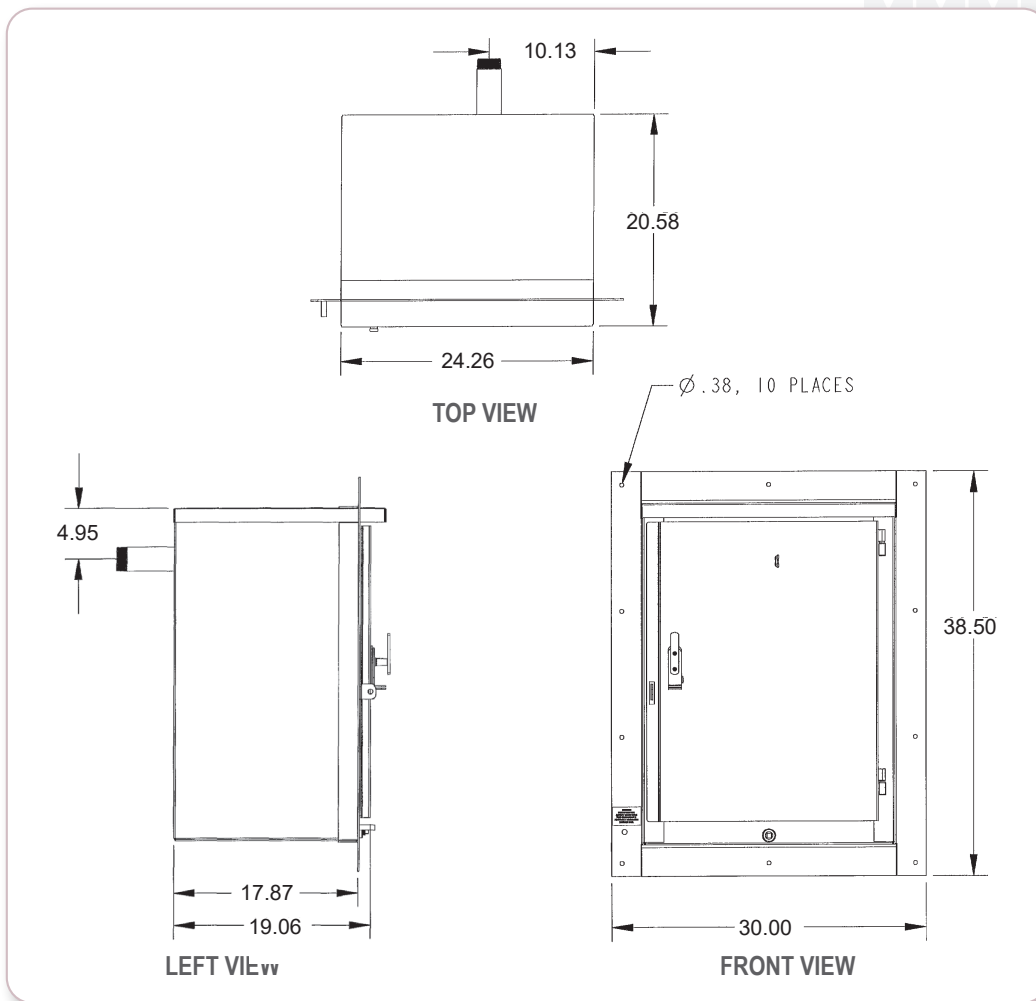
UL 2583 Listed; Florida DEP EQ-787





| Item Number     | Size      | Description   | Weight (lbs) |
|-----------------|-----------|---|--------------|
| 715F-TK2-0000-0 | 2"—7 gal. | In-wall, back connection w/ no internal components  | 120.0        |
| 715F-TK2-2QBB-0 | 2"—7 gal. | In-wall, back connection w/2" AL female QD coupler, BR ball valve, hand pump (diesel only)    | 162.0        |
| 715F-TK2-2MBB-0 | 2"—7 gal. | In-wall, back connection w/2" AL male QD adaptor, BR ball valve, hand pump (diesel only)      | 162.0        |
| 715F-TK2-2DBB-0 | 2"—7 gal. | In-wall, back connection w/2" AL dry disc adaptor, BR ball valve, hand pump (diesel only)     | 160.0        |
| 715F-TK2-2DS0-0 | 2"—7 gal. | In-wall, back connection w/2" AL dry disc adaptor, SS ball valve                              | N/A          |
| 715F-TK3-0000-0 | 3"—7 gal. | In-wall, back connection w/ no internal components  | N/A          |
| 715F-TK3-3DBB-0 | 3"—7 gal. | In-wall, back connection w/3" AL dry disc adaptor, BR ball valve, hand pump (diesel only)     | N/A          |
| 715FS-TK2-0000  | 2"—7 gal. | SS in-wall, back connection w/ no internal components   | 120.0        |
| 715FS-TK2-2QBB  | 2"—7 gal. | SS in-wall, back connection w/2" AL female QD coupler, BR ball valve, hand pump (diesel only) | 162.0        |
| 715FS-TK2-2MBB  | 2"—7 gal. | SS in-wall, back connection w/2" AL male QD adaptor, BR ball valve, hand pump (diesel only)   | 162.0        |
| 715FS-TK2-2DBB  | 2"—7 gal. | SS in-wall, back connection w/2" AL dry disc adaptor, BR ball valve, hand pump (diesel only)  | 160.0        |
| 715FS-TK2-2DS0  | 2"—7 gal. | SS in-wall, back connection w/2" AL dry disc adaptor, SS ball valve                           | N/A          |
| 715FS-TK2-2SS0  | 2"—7 gal. | SS in-wall, back connection w/2" SS female QD coupler, SS ball valve                          | N/A          |
| 715FS-TK3-3SS0  | 3"—7 gal. | SS in-wall, back connection w/3" SS female QD coupler, SS ball valve                          | N/A          |

\*Please consult Price List for additional options.



# 715 Part Numbering System

## How to “Build-a-Box”

To order, simply select desired option from each category and insert the corresponding letter or number in the appropriate space below.

### Example:

715 - - T K 2 - 2 Q B B - 0

Model Number

#### Fill Box Construction

- 10 gal. powder coated steel
- S 10 gal. 304 stainless steel
- F 7 gal. powder coated in-wall mount
- FS 7 gal. 304 stainless steel in-wall mount

#### Mounting Style

- T Tank/Wall

#### Connection Location

- 0 No outlet
- B Bottom
- F Top Flange
- K Back
- T Top NPT male thread

#### Connection Thread Size

- 0 No outlet fitting
- 2 2" Male NPT nipple
- 3 3" Male NPT nipple
- 4 2" 150# Raised face flange
- 5 3" 150# Raised face flange

#### Component Size

- 0 Box only
- 2 2" components
- 3 3" components

#### Open

- 0 Box only

#### Hand Pump Assembly

- 0 No hand pump assembly
- B Base (Diesel) package\*

\* Hand pump assembly base package: Steel constructed hand pump with PTFE seals and FKM o-rings, reinforced polyurethane tubing, brass check valve and ball valve.

#### S Stainless Steel Package

\* Hand Pump Assembly Stainless Steel Package: Stainless steel constructed hand pump with PTFE seals and FKM o-rings, reinforced polyurethane tubing, stainless steel check valve and ball valve.

#### Ball Valve

- 0 Box only
- B Full port NPT ball valve with brass body, hard chrome plated ball & PTFE seals
- S Full port, locking, NPT ball valve with stainless steel body and ball, PTFE seals

#### Inlet Connection

- 0 Box only
- D Dry disconnect, hardcoated aluminum with stainless steel piston, FKM gaskets, and aluminum dust cap
- E Dry disconnect, stainless steel body and piston, FKM gasket, and stainless steel dust cap (only available in 2")
- Q 90° quick disconnect aluminum female coupler with brass check valve, FKM seals, and aluminum dust plug
- S 90° quick disconnect stainless steel coupler with check valve, FKM seals, and stainless steel dust plug
- M 90° quick disconnect aluminum male adaptor with stainless steel check valve, FKM seals, and aluminum dust cap

### Additional Options:

- 60" Post mount kit: 715---P060 AK
- Mounting Plate: 715---0373 AK (not compatible with in-wall models)
- Stand: 715---S400 AS (4-leg stand, powder coated steel)
- Stand: 715S--S400 AS (4-leg stand, stainless steel)
- Vapor recovery kits: 715---VR30 AK (3") and 715---VR40 AK (4")



**For a complete listing of 715 item numbers, please refer to the Morrison Price List.**

570 E. 7th Street | Dubuque, IA 52001  
t. 563.583.5701 | 800.553.4840 | f. 563.583.5028

www.morbros.com