

Additional Options:

- 60" Post mount kit:
715---P060 AK
- Vapor recovery kits:
715---VR30 AK (3")
715---VR40 AK (4")
- Stand:
715---S400 AS
715S--S400 AS
- Mounting Plate:
715---0373 AK



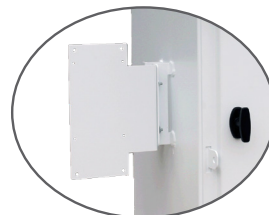
Four-leg Stand
Powder-coated steel stand for
10-gallon models



Post Mount
60" Post with cap, base,
and U-bolts



Vapor Recovery Kit



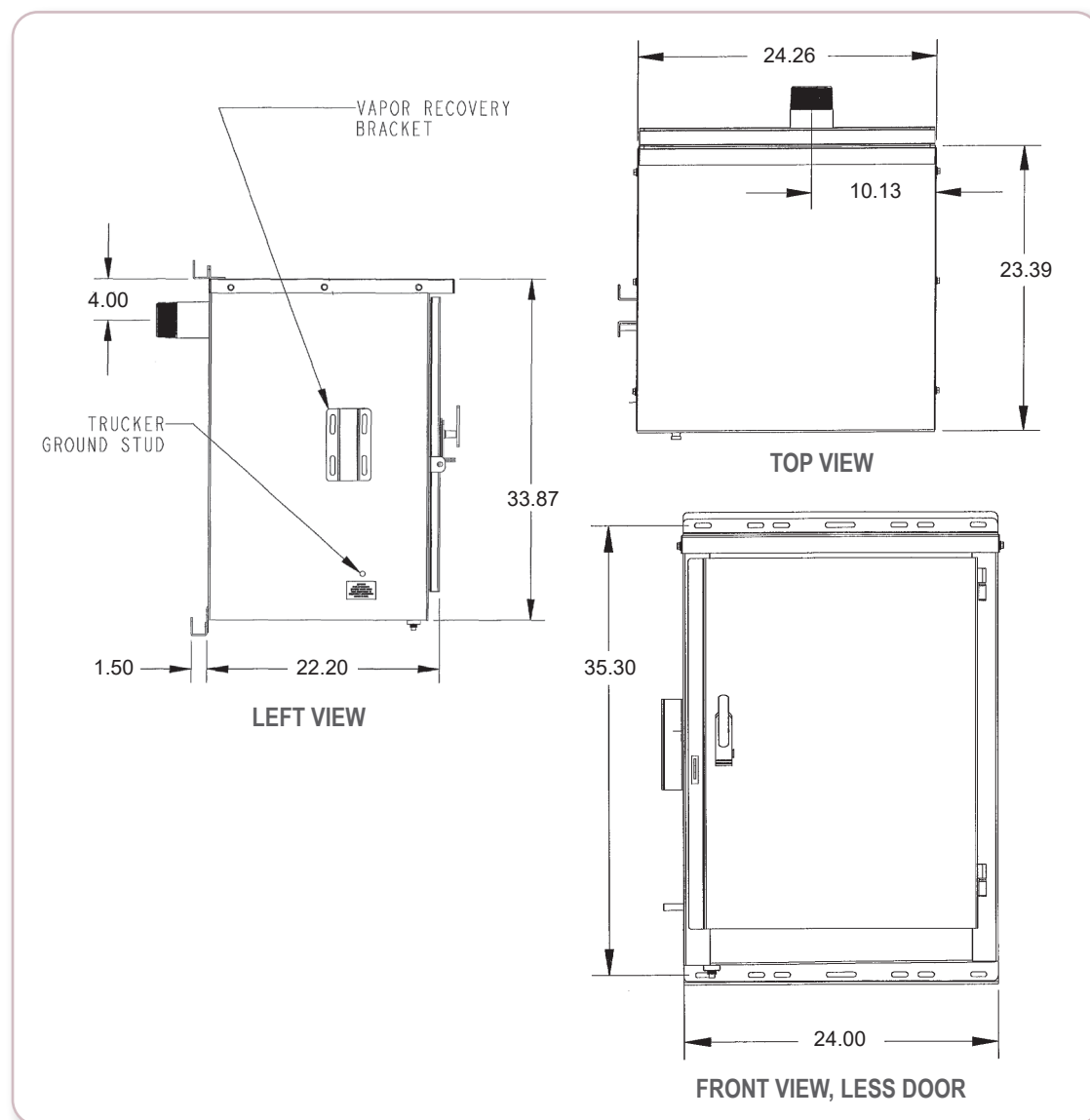
Mounting Plate

MORRISON BROS. CO.

715K

Remote Fill Box Series:

BACK CONNECTION



Florida DEP EQ-787



Features:

- ♦ 10-gallon (37.85 liter) capacity
- ♦ 14 gauge steel (powder coated white) or 304 stainless steel
- ♦ Pad-lockable
- ♦ Integral grounding stud
- ♦ Vapor recovery mounting brackets
- ♦ Sloped bottom (right to left)
- ♦ Drain located in front left corner

MORRISON BROS. CO.

570 E. 7th Street | Dubuque, IA 52001

t. 563.583.5701 | 800.553.4840 | f. 563.583.5028 | custserv@morbros.com | www.morbros.com

External Options

715--TK2
715--TK3



- ◆ 10-gallon capacity
 - ◆ 14-gauge steel (powder coated white)
 - ◆ 3" back connection
 - ◆ On-wall flush mount
- * Four-leg stand not available for this specific model.*

715S-TK2
715S-TK3



- ◆ 10-gallon capacity
- ◆ 304 stainless steel
- ◆ 3" back connection
- ◆ On-wall flush mount

715--TK4
715--TK5



- ◆ 10-gallon capacity
- ◆ 14-gauge steel (powder coated white)
- ◆ 3" flanged back connection
- ◆ On-wall flush mount

**Also available*

715S-TK4
715S-TK5

Item Number	Size	Description	Weight (lbs)
715--TK2-0000-0	2" - 10-gal.	Back connection with no internal components	132.0
715--TK3-0000-0	3" - 10-gal.	Back connection with no internal components	118.0
715--TK3-3QBB-0	3" - 10-gal.	Back connection, female quick disconnect with plug (diesel only)	161.0
715--TK3-3MBB-0	3" - 10-gal.	Back connection, male quick disconnect with cap (diesel only)	161.0
715--TK3-2DBB-0	2" - 10-gal.	Back connection, dry disconnect with cap (diesel only)	152.0
715S-TK2-0000-0	2" - 10-gal.	SS back connection with no internal components	
715S-TK3-2SSS-0	2" - 10-gal.	SS back connection, DEF, stainless steel female quick disconnect with plug	114.0
715S-TK3-2ESS-0	2" - 10-gal.	SS back connection, DEF, stainless steel dry disconnect with cap	129.0
715S-TK3-3SS0-0	3" - 10-gal.	SS back connection, DEF, stainless steel quick disconnect & stainless steel ball valve	150.0
715S-TK3-3MS0-0	3" - 10-gal.	SS back connection, male quick disconnect, SS ball valve	120.0
715--TK4-0000-0	2" - 10-gal.	Flanged back connection with no internal components	
715S-TK4-0000-0	2" - 10-gal.	SS flanged back connection with no internal components	
715--TK5-0000-0	3" - 10-gal.	Flanged back connection with no internal components	
715S-TK5-0000-0	3" - 10-gal.	SS flanged back connection with no internal components	

**Consult Price List for additional options.*

← **715** - - **T K 2** - **2 Q B B** - **0** →

Model Number

Fill Box Construction

- 10-gal. powder coated steel
- S 10-gal. 304 stainless steel

Mounting Style

- T Tank/Wall

Connection Location

- K Back

Connection Thread Size

- 0 No outlet fitting
- 2 2" Male NPT nipple
- 3 3" Male NPT nipple
- 4 2" 150# Raised face flange
- 5 3" 150# Raised face flange

Component Size

- 0 Box only
- 2 2" components
- 3 3" components

Internal Options

Open

- 0 Box only

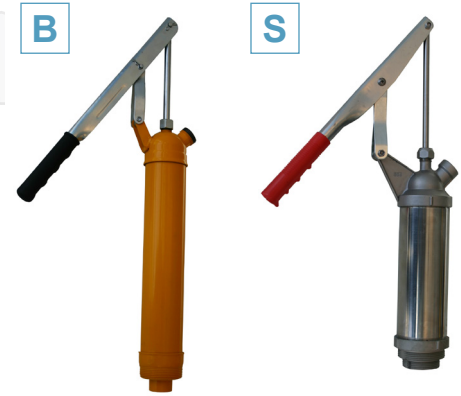
Hand Pump Assembly

- 0 No hand pump assembly
- B Base (Diesel) package*

** Hand pump assembly base package: Steel constructed hand pump with PTFE seals and FKM o-rings, reinforced polyurethane tubing, brass check valve and ball valve.*

- S Stainless Steel Package

** Hand Pump Assembly Stainless Steel Package: Stainless steel constructed hand pump with PTFE seals and FKM o-rings, reinforced polyurethane tubing, stainless steel check valve and ball valve.*



Ball Valve

- 0 Box only
- B Full port NPT ball valve with brass body, hard chrome plated ball & PTFE seals
- S Full port, locking, NPT ball valve with stainless steel body and ball, PTFE seals



Inlet Connection

- 0 Box only
- D Dry disconnect, hardcoated aluminum with stainless steel piston, FKM gaskets, and aluminum dust cap
- E Dry disconnect, stainless steel body and piston, FKM gasket, and stainless steel dust cap
- Q 90° quick disconnect aluminum female coupler with stainless steel check valve, FKM seals, and aluminum dust plug
- S 90° quick disconnect stainless steel coupler with check valve, FKM seals, and stainless steel dust plug
- M 90° quick disconnect aluminum male adaptor with stainless steel check valve, FKM seals, and aluminum dust cap

