

715

Remote Fill Box Series: BOTTOM CONNECTION

Additional Options:

• **60" Post mount kit:**
715---P060 AK

• **Vapor recovery kits:**
715---VR30 AK (3")
715---VR40 AK (4")

• **Stand:**
715---S400 AS
715S--S400 AS

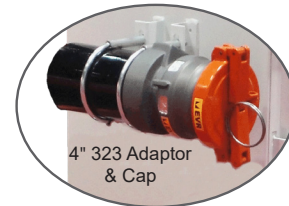
• **Mounting Plate kit:**
715---0373 AK



Four-leg Stand
Powder-coated steel stand for
10-gallon models



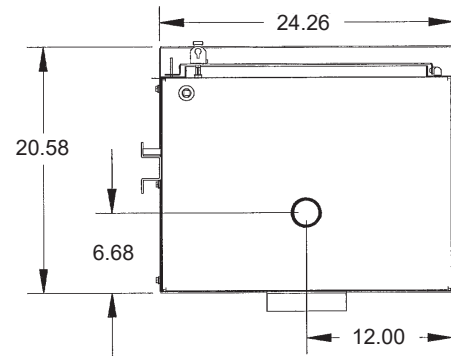
Post Mount
60" Post with cap, base,
and U-bolts



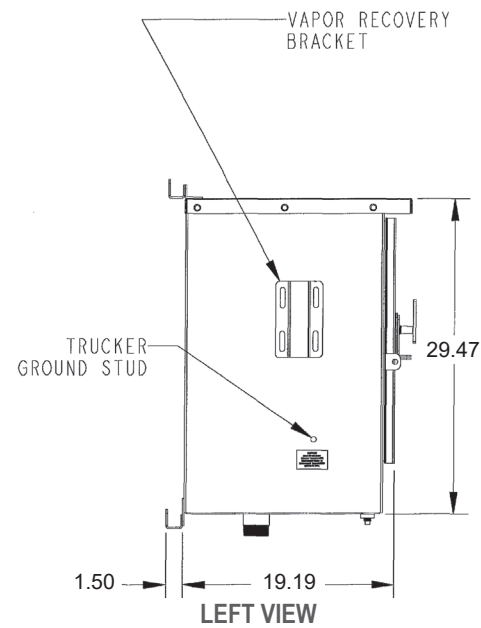
Vapor Recovery Kit



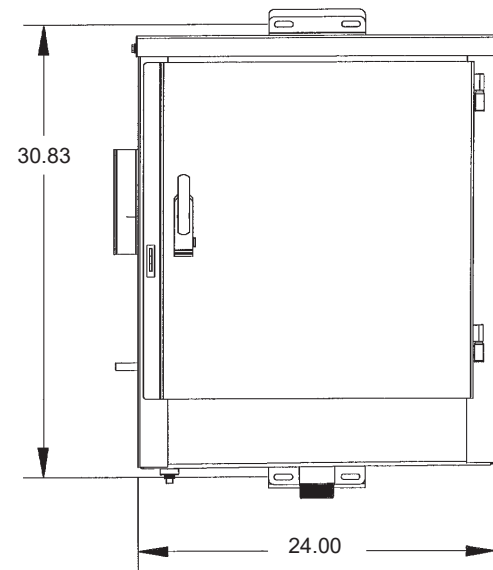
Mounting Plate



BOTTOM VIEW



LEFT VIEW



FRONT VIEW



Florida DEP EQ-787



Features:

- ◆ 10-gallon (37.85 liter) capacity
- ◆ 14 gauge steel (powder coated white)
- ◆ Pad-lockable
- ◆ Integral grounding stud
- ◆ Vapor recovery mounting brackets
- ◆ Sloped bottom (right to left)
- ◆ Drain located in front

External Options



715--TB2
715--TB3

- ◆ 10-gallon capacity
- ◆ 14 gauge steel (powder coated white)
- ◆ 2" or 3" bottom connection
- ◆ Tank or wall mount

*Also available

715S-TB2
715S-TB3



715--TB4
715--TB5

- ◆ 10-gallon capacity
- ◆ 14 gauge steel (powder coated white)
- ◆ 2" or 3" bottom connection
- ◆ Tank or wall mount

Item Number	Size	Description	Weight (lbs)
715--TB2-0000-0	10-gal.	Bottom connection with no internal components	109.0
715--TB2-2MBB-0	2" - 10-gal.	Bottom connection, male quick disconnect with plug (diesel only)	
715--TB2-2QBB-0	2" - 10-gal.	Bottom connection, female quick disconnect with plug (diesel only)	
715S-TB2-0000-0	2" - 10-gal.	Stainless steel bottom connection with no internal components	
715--TB3-0000-0	3" - 10-gal.	Bottom connection with no internal components	108.0
715S-TB3-0000-0	3" - 10-gal.	Stainless steel bottom connection with no internal components	
715--TB4-2DBB-0	2" - 10-gal.	Flanged bottom connection, dry-disconnect with cap (diesel only)	
715--TB5-3DBB-0	3" - 10-gal.	Flanged bottom connection, dry-disconnect with cap (diesel only)	
715--S400 AS		Four-leg stand, powder coated steel	
715S--S400 AS		Four-leg stand, stainless steel	

*Consult Price List for additional options.

715 - - T B 2 - 2 Q B B - 0

Model Number
- 10-gal. powder coated steel
S 10-gal. 304 stainless steel

Mounting Style
T Tank/Wall

Connection Location
B Bottom

Connection Thread Size
2 2" Male NPT nipple
3 3" Male NPT nipple
4 2" 150# Raised face flange
5 3" 150# Raised face flange

Component Size
0 Box only
2* 2" components
3 3" components

Internal Options

Open
0 Box only

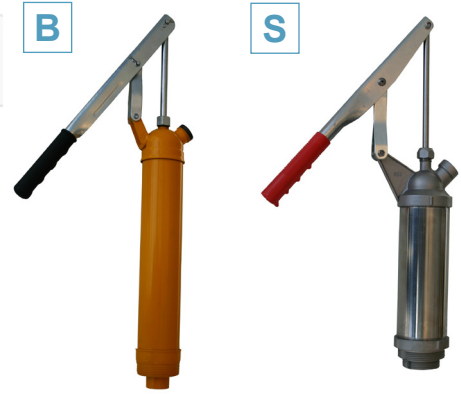
Hand Pump Assembly

0 No hand pump assembly
B Base (Diesel) package*

* Hand pump assembly base package: Steel constructed hand pump with PTFE seals and FKM o-rings, reinforced polyurethane tubing, brass check valve and ball valve.

S Stainless Steel Package

* Hand Pump Assembly Stainless Steel Package: Stainless steel constructed hand pump with PTFE seals and FKM o-rings, reinforced polyurethane tubing, stainless steel check valve and ball valve.



Ball Valve

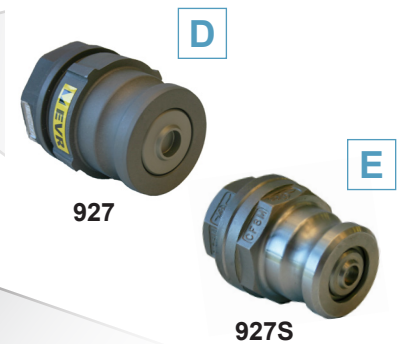
0 Box only
B Full port NPT ball valve with brass body, hard chrome plated ball & PTFE seals
S Full port, locking, NPT ball valve with stainless steel body and ball, PTFE seals



Inlet Connection

0 Box only
D Dry disconnect, hardcoated aluminum with stainless steel piston, FKM gaskets, and aluminum dust cap
E Dry disconnect, stainless steel body and piston, FKM gasket, and stainless steel dust cap (only available in 2")
Q 90° quick disconnect aluminum female coupler with stainless steel check valve, FKM seals, and aluminum dust plug
S 90° quick disconnect stainless steel coupler with check valve, FKM seals, and stainless steel dust plug
M 90° quick disconnect aluminum male adaptor with stainless steel check valve, FKM seals, and aluminum dust cap

Dry Disconnect



Quick Disconnect



† As of March 2018, please note that Bottom Connection models are now 10-gallon capacities instead of 7-gallon. Measurements have also changed.