

Model 710F Solenoid Valve | Flanged

SPECIFICATION SHEET

Application

Normally closed solenoid valves are used to help prevent the accidental siphoning of a product from a tank in the event of a leak downstream below the liquid level. They are generally installed on the dispensing side of a fuel system pipeline. The valve opens upon the receipt of an electronic signal such as when a dispenser or pump is switched to the 'on' position.

Features and Details

- Operates at 120 volts AC (24, 208, 220, 240, & 480 volts AC, and 12, 24, and 48 volts DC also available)
- Minimum operating temperature is -40°F
- Includes a continuous duty Class H standard coil. Other options are available
- Must be mounted in a horizontal pipeline with solenoid vertical and upright
- No differential pressure is required to open the valve
- Connects to a ½" conduit. 18" lead wire provided
- Enclosure is watertight and rated for hazardous locations on aboveground fuel storage tanks- NEMA 3, 4X, 7 and 9; groups C and D
- Available in Viton or Teflon seals (3" only in Viton)
- Has a built-in expansion relief
- Flanged connections ANSI 150 RF
- Maximum viscosity rating of 60 Centistokes
- Manual override feature available (Fig. 710FMO or 710FSM)

Materials of Construction

- Solenoid housed in an integral, watertight, explosion-proof shell

710F

- Body... Cast bronze
- Seals... FKM or PTFE

710FSS

- Body... 304 stainless steel
- Seals... FKM or PTFE

Certifications and Listings

- CSA listed (File No. 108921, Model Z1314); Class I, Groups C and D; Class II, Groups E, F, and G. Class III, T3C



NOTE

- It is strongly recommended that a line strainer with 100 mesh be installed at the inlet of this valve. Failure to do so may cause the valve to malfunction and void the warranty.
- Product can only be pumped in the direction of the flow arrow. Not designed for use as overfill prevention or process control valve.

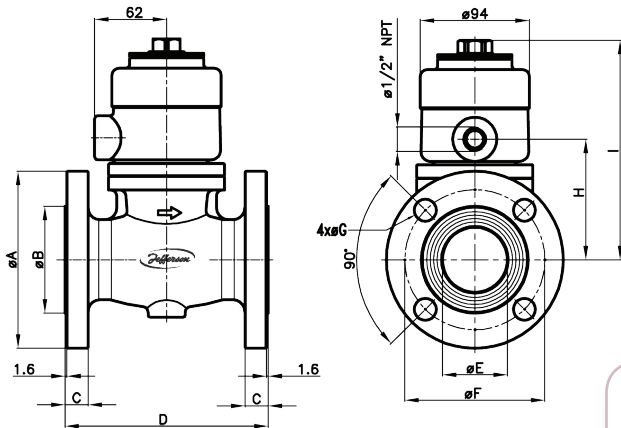
Item numbers, dimensions, and drawings on next page...

SPECIFICATION SHEET

Item Number	Flange Size	Seal Material	Orifice Size	CV	Operating Pressure Differential Max (P.S.I.)		Fluid Temp. (Max.) (Deg. F)	Power Consumption (WATT) (Deg. F)	Shipping Weight (lbs)	Dimensions (inches)								
					Min.	Max.				A	B	C	D	E	F	G	H	I
710F--0075 1V	¾"	FKM	¾"	7	0	105	302°	30	N/A	3.87	1.69	.50	5.74	.76	2.74	.62	3.26	6.61
710F--0100 1V	1"	FKM	1"	12	0	105	302°	30	19.0	4.25	2.00	.57	5.86	1.02	3.12	.62	3.26	6.61
710F--0150 1V	1½"	FKM	1.25	18	0	105	302°	30	25.0	5.00	2.87	.68	6.69	1.57	3.87	.62	4.09	7.44
710F--0200 1V	2"	FKM	1.5	27	0	105	302°	30	29.0	5.98	3.62	.74	6.88	1.96	4.75	.74	4.09	7.44
710F--0300 1V	3"	FKM	3.0	91	0	45	302°	48	58.0	7.51	5.00	.94	8.66	3.07	5.98	N/A	N/A	N/A
710FMO0200 1V	2"	PTFE	1.5	27	0	105	302°	30	29.0	5.98	3.62	.74	6.88	1.96	4.75	.74	4.09	7.44
710FSM2150 1V	1½"	PTFE	1.25	18	0	105	302°	30	N/A	5.00	2.87	.68	6.69	1.57	3.87	.62	4.09	7.44
710FSM2200 1V	2"	PTFE	1.5	27	0	105	302°	30	29.0	5.98	3.62	.74	6.88	1.96	4.75	.74	4.09	7.44
710FSS2150 1V	1½"	PTFE	1.25	18	0	105	302°	30	25.0	5.00	2.87	.68	6.69	1.57	3.87	.62	4.09	7.44
710FSS2200 1V	2"	PTFE	1.5	27	0	105	302°	30	29.0	5.98	3.62	.74	6.88	1.96	4.75	.74	4.09	7.44
710FSS0300 1V	3"	PTFE	3.0	91	0	45	302°	48	58.0	7.51	5.00	.94	8.66	3.07	5.98	N/A	N/A	N/A
710FSS3300 1V	3"	PTFE	3.0	91	0	45	302°	48	58.0	7.51	5.00	.94	8.66	3.07	5.98	N/A	N/A	N/A

(For sizes ¾", 1", 1½", and 2")

Dimensions (mm)



(For 3" model)

Dimensions (mm)

