



Model 507 Series Emergency Valve Operator

SPECIFICATION SHEET

Application

Lever action mechanically operates spring loaded emergency valves.

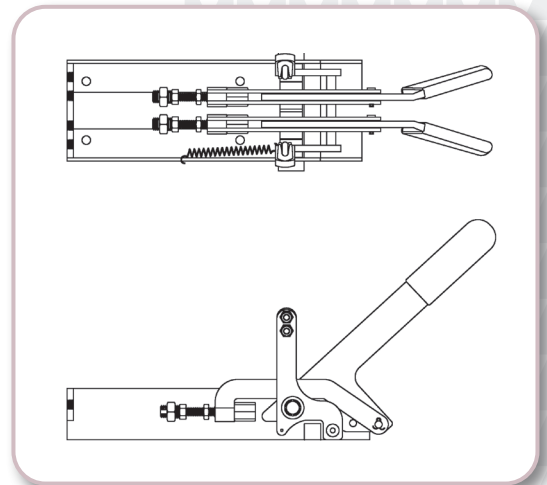
Features and Details

507- Mechanical Valve Operator

- 210°F fuse plates melt and close open valves in the event of fire
- Adjustable cable positions 1⁵/₈" or 2³/₈"
- Threaded take-up for adjustment cable
- Accepts cable up to ³/₁₆" diameter
- Remote trip lever closes all open valves with a single movement from a remote location (near vehicle cab)

Materials of Construction

- Steel (powder coated black) frame and levers
- Plated steel shaft



Item Number	A	B	C	D	E	Weight
507---0500 AO	5	N	16 ³ / ₄ "	8 ³ / ₆ "	12 ¹ / ₆ "	15

SPECIFICATION OPTIONS:

- A**—Compartment: 2, 5
- B**—Air operated: Yes (Y), No (N)
- C**—Length (inches)
- D**—Width (inches)
- E**—Height (inches)
- Weight**—Shipping weight (lbs)



MORRISON BROS. CO.

570 E. 7th Street | Dubuque, IA 52001
 t. 563.583.5701 | 800.553.4840 | f. 563.583.5028
 www.morbros.com