

Model 446 Emergency Shut-Off Valve

SPECIFICATION SHEET

Application

The 446 normally open valve is designed to shut off liquid flow in the event of a fire or excessive temperatures. This emergency shut-off valve is installed in the fuel line from a storage tank to fuel burning equipment; such as back-up generators, boilers, and other flammable liquid burning appliances.

Features and Details

- cUL_{us} listed to ULC/ORD-C842 – Valves for Flammable and Combustible Liquids (See details below in Code Compliance)
- 165°F (73°C) fusible link activates spring closure
- ½" (12.7 mm), ¾" (19.05 mm) or 1" (25.4 mm) female NPT threaded connections
- Compact size reduces operational footprint requirement
- Easy to install and maintain

Operational Criteria

- Operating pressure rated at 50 psi (433.7 kPa)
- Operating temperature range rated at -20°F (-28°C) to 125°F (51°C)

Materials of Construction

- Body... 316 stainless steel
- Cap, shaft, tail fitting, poppet, and nut... 303 stainless steel
- Lever arm... 304 stainless steel
- Handle... 356-T6 aluminum
- Spring... 17-7 stainless
- O-ring and disc... Viton®

Code Compliance

- cUL_{us} listed to ULC/ORD-C842—Valves for Flammable and Combustible Liquids

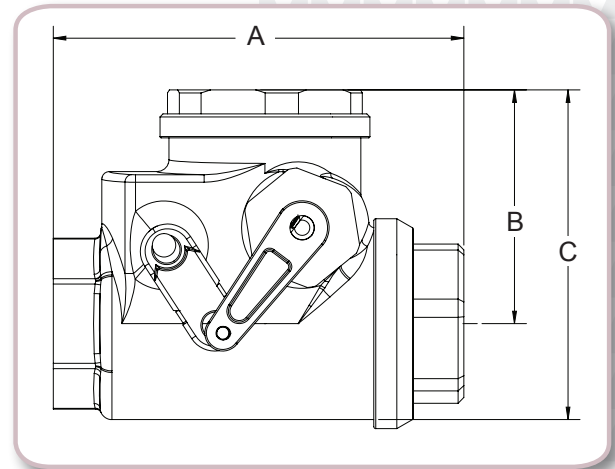
YRBX7.MH10308

Product Category Code
"Flammable Liquid Shutoff Valves
Certified for Canada"

Morrison cUL_{us}
File Number

- Click [here](#) for link to UL Online Certifications Directory

| Item Number | Size | A | B | C | Weight (lbs) |
|---------------|---------------|-------|-------|-------|--------------|
| 446---0050 AV | ½" (12.7 mm) | 4.28" | 2.44" | 3.44" | 3.52 |
| 446---0075 AV | ¾" (19.05 mm) | 4.28" | 2.44" | 3.44" | 3.20 |
| 446---0100 AV | 1" (25.4 mm) | 4.28" | 2.44" | 3.44" | 3.40 |



570 E. 7th Street, P.O. Box 238 | Dubuque, IA 52004-0238
t. 563.583.5701 | 800.553.4840 | f. 563.583.5028