

Model 272 Internal Emergency Valves

SPECIFICATION SHEET

Application

Designed for installation at the bottom outlet of an aboveground storage tank (AST) where product flow must be stopped in the event of a fire. Fusible link holds the spring loaded valve open until activated.

Features and Details

- Adjustable hold-open mechanism
- 212° UL listed fusible link standard (165° available)
- Shear section model provides added impact protection
- Locking models for added theft deterrent

Materials of Construction

272DI

- Body and plunger... Ductile iron
- Shaft... Stainless steel
- Shaft packing... PTFE
- O-ring... PTFE encapsulated FKM (4" x 3")
- Spring... Stainless steel

272HDI, 272HDS, 272DLS

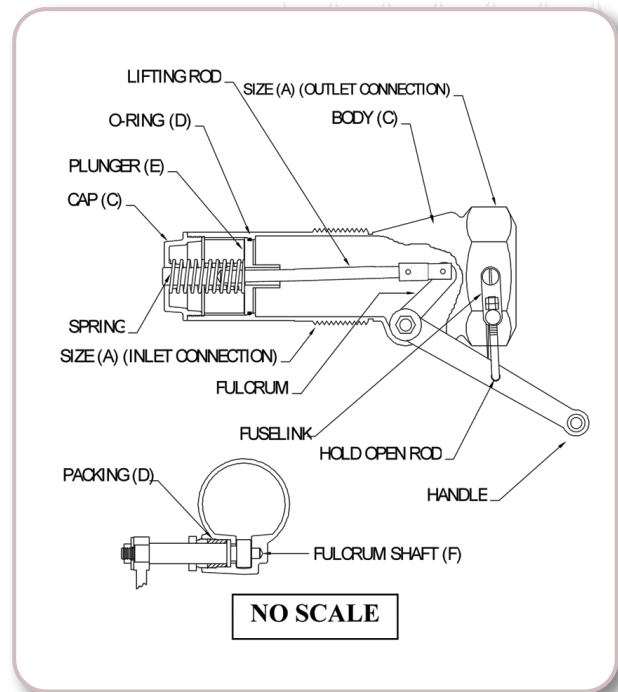
- Body and plunger... Ductile iron
- Shaft... Zinc plated steel
- Shaft packing... PTFE
- O-ring... PTFE encapsulated FKM
- Spring... Stainless steel

272HO, 272HOL, 272HOS, 272HLS

- Body and plunger... Brass
- Shaft Packing... PTFE impregnated Fiber or PTFE
- O-ring... FKM or PTFE
- Spring... Stainless steel
- Shaft... Zinc plated steel

NOTE

The 272 Series valves require periodic inspection to ensure the shut-off mechanism is operating correctly. They are not intended to be used as a "block valve" and should not be opened under pressure.



Item numbers on next page...



Model 272 Internal Emergency Valves (continued)

Item Number	Size	Tank Connection	Body/Cap Material	Shear Section	Locking Mechanism	Length	Weight (lbs)
272DI-0300 AV	4" x 3"	Flanged	Ductile Iron	No	No	16.81	34.15
272DI-0400 AV	6" x 4"	Flanged	Ductile Iron	No	No	13.5	42.50
272DLS0100 AV	2" x 2"	Male	Ductile Iron	Yes	Yes	8.75	6.50
272DLS0500 AV	3" x 3"	Male	Ductile Iron	Yes	Yes	10.62	11.50
272HDI0100 AV	2" x 2"	Male	Ductile Iron	No	No	8.75	6.22
272HDI0500 AV	3" x 3"	Male	Ductile Iron	No	No	10.62	9.66
272HDI0700 AV	4" x 4"	Male	Ductile Iron	No	No	12.37	16.75
272HDS0100 AV	2" x 2"	Male	Ductile Iron	Yes	No	8.75	7.0
272HDS0500 AV	3" x 3"	Male	Ductile Iron	Yes	No	10.62	9.68
272HDS0700 AV	4" x 4"	Male	Ductile Iron	Yes	No	12.37	16.30
272HDL0100 AV	2" x 2"	Male	Ductile Iron	No	Yes	8.75	7.0
272HDL0500 AV	3" x 3"	Male	Ductile Iron	No	Yes	10.62	10.0
272HLS0100 AV	2" x 2"	Male	Brass	Yes	Yes	8.75	7.0
272HLS0500 AV	3" x 3"	Male	Brass	Yes	Yes	10.62	11.46
272HO-0100 AV	2" x 2"	Male	Brass	No	No	8.75	6.50
272HO-0500 AV	3" x 3"	Male	Brass	No	No	10.62	11.20
272HOL0100 AV	2" x 2"	Male	Brass	No	Yes	8.75	7.46
272HOL0500 AV	3" x 3"	Male	Brass	No	Yes	10.62	11.60
272HOS0100 AV	2" x 2"	Male	Brass	Yes	No	8.75	6.78
272HOS0500 AV	3" x 3"	Male	Brass	Yes	No	10.62	9.68
272HOS0700 AV	4" x 4"	Male	Brass	Yes	No	12.37	19.76

