

# Model 234 & 235 Gate Valve Series

SPECIFICATION SHEET

## Application

The Morrison Fig. 234/235 Series Gate Valves are rising stem double disc style positive shut-off valves. Temperature rating is -50° to 450° F. Cold non-shock pressure rating is 200 P.S.I. W.O.G. Fig. 234/235 series valves are available with optional locking bonnets. Fig. 234 series flanged gate valves conform to ANSI B16.42 Specifications for Class 150 raised face ductile Iron flanges.

## Materials of Construction

- Handwheel... powder coated aluminum
- Stem... brass
- Discs... brass

Item Number	A	B	C	D	E	F	G	H	I	J	K	L
234DI-0150 AV	F	4	2	N	DI	TFE	N	6	16.09	13.9	4.75	20
234BDI0150 AV	F	4	2	N	DI	TFE	Y	6	16.09	13.9	4.75	21.5
234DI-0200 AV	F	4	3	N	DI	TFE	N	6.47	21	17.12	6	37.3
234BDI0200 AV	F	4	3	N	DI	TFE	Y	6.47	21	17.12	6	38
235--0100 AV	---	---	1.5	N	BR	GP	N	3.25	12.5	10.62	---	5.5
235B--0100 AV	---	---	1.5	N	BR	GP	Y	3.25	12.5	10.62	---	6.3
235DI-0700 AV	---	---	1.5	N	DI	TFE	N	3.25	12.5	10.62	---	16.5
235BDI0700 AV	---	---	1.5	N	DI	TFE	Y	3.25	12.5	10.62	---	18
235--0200 AV	---	---	2	N	BR	GP	N	4	14.5	12.31	---	7.8
235B--0200 AV	---	---	2	N	BR	GP	Y	4	14.5	12.31	---	9.3
235DI-0300 AV	---	---	2	N	DI	TFE	N	4	14.5	12.31	---	4.5
235BDI0300 AV	---	---	2	N	DI	TFE	Y	4	14.5	12.31	---	5.8
235--0400 AV	---	---	3	N	BR	GP	N	4.37	19.5	16.5	---	16
235B--0400 AV	---	---	3	N	BR	GP	Y	4.37	19.5	16.5	---	17.8
235DI-0400 AV	---	---	3	N	DI	TFE	N	4.37	19.5	16.5	---	8
235BDI0400 AV	---	---	3	N	DI	TFE	Y	4.37	19.5	16.5	---	10

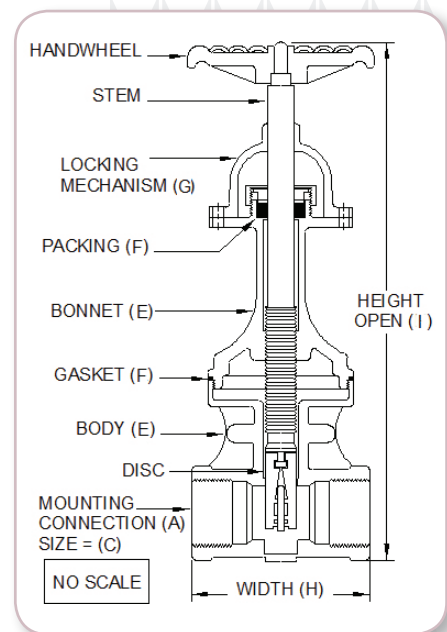
### SPECIFICATION OPTIONS:

- |   |  |
|---|--|
| <b>A</b> —Mounting connection:<br>Female N.P.T. (blank),<br>Flanged (F) | <b>F</b> —Gasket / Packing material:<br>TFE (PTFE)<br>GP (General Purpose) |
| <b>B</b> —Number of Bolt Holes  | <b>G</b> —Locking mechanism: Yes/No  |
| <b>C</b> —Size: 1½", 2", 2½", 3"  | <b>H</b> —Width (inches)   |
| <b>D</b> —Expansion relief: Yes/No                                      | <b>I</b> —Height of valve open (inches)                                    |
| <b>E</b> —Body / Bonnet material:<br>DI (Ductile Iron), BR (Brass)      | <b>J</b> —Height of valve closed (inches)                                  |
|   | <b>K</b> —Bolt circle diameter (flanged only)                              |
|   | <b>L</b> —Shipping weight (lbs.)   |



Model 234DI

Model 235



570 E. 7th Street, P.O. Box 238 | Dubuque, IA 52004-0238

t. 563.583.5701 | 800.553.4840 | f. 563.583.5028

www.morbros.com