

Model 234 & 235 Gate Valve Series

SPECIFICATION SHEET

Application

The Morrison Fig. 234/235 Series Gate Valves are rising stem double disc style positive shut-off valves. Temperature rating is -50° to 450° F. Cold non-shock pressure rating is 200 P.S.I. W.O.G. Fig. 234/235 series valves are available with optional locking bonnets. Fig. 234 series flanged gate valves conform to ANSI B16.42 Specifications for Class 150 raised face ductile Iron flanges.

Materials of Construction

- Handwheel... powder coated aluminum
- Stem... brass
- Discs... brass

Item Number	A	B	C	D	E	F	G	H	I	J	K	L
234DI-0150 AV	F	4	2	N	DI	TFE	N	6	16.09	13.9	4.75	20
234BDI0150 AV	F	4	2	N	DI	TFE	Y	6	16.09	13.9	4.75	21.5
234DI-0200 AV	F	4	3	N	DI	TFE	N	6.47	21	17.12	6	37.3
234BDI0200 AV	F	4	3	N	DI	TFE	Y	6.47	21	17.12	6	38
235--0200 AV	---	---	2	N	BR	GP	N	4	14.5	12.31	---	7.8
235B--0200 AV	---	---	2	N	BR	GP	Y	4	14.5	12.31	---	9.3
235DI-0300 AV	---	---	2	N	DI	TFE	N	4	14.5	12.31	---	4.5
235BDI0300 AV	---	---	2	N	DI	TFE	Y	4	14.5	12.31	---	5.8
235--0400 AV	---	---	3	N	BR	GP	N	4.37	19.5	16.5	---	16
235B--0400 AV	---	---	3	N	BR	GP	Y	4.37	19.5	16.5	---	17.8
235DI-0400 AV	---	---	3	N	DI	TFE	N	4.37	19.5	16.5	---	8
235BDI0400 AV	---	---	3	N	DI	TFE	Y	4.37	19.5	16.5	---	10

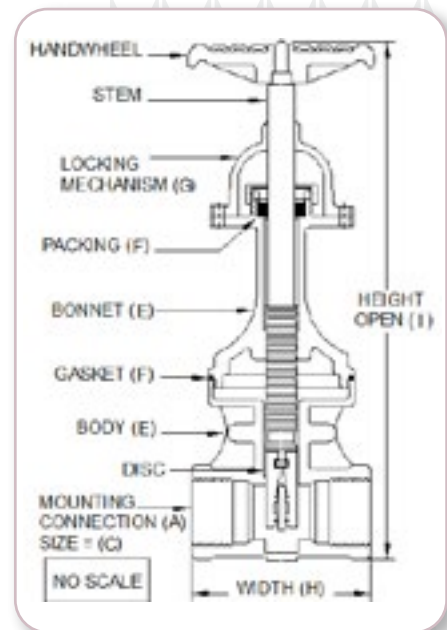
SPECIFICATION OPTIONS:

- | | |
|---|--|
| A —Mounting connection:
Female N.P.T. (blank),
Flanged (F) | F —Gasket / Packing material:
TFE (PTFE)
GP (General Purpose) |
| B —Number of Bolt Holes | G —Locking mechanism: Yes/No |
| C —Size: 1½", 2", 2½", 3" | H —Width (inches) |
| D —Expansion relief: Yes/No | I —Height of valve open (inches) |
| E —Body / Bonnet material:
DI (Ductile Iron), BR (Brass) | J —Height of valve closed (inches) |
| | K —Bolt circle diameter (flanged only) |
| | L —Shipping weight (lbs.) |



Model 234DI

Model 235



570 E. 7th Street | Dubuque, IA 52001
t. 563.583.5701 | 800.553.4840 | f. 563.583.5028
www.morbros.com